

Manual

PowerWalker VFI CPM Series with VFI 30K CPM Modules

Uninterruptible Power Supply System

Version: 3.0

Table of Contents

1. Safety	1
1.1 Important Safety Instructions.....	1
1.2 EMC.....	1
1.3 Installation information	1
1.4 Maintenance	2
1.5 Recycling the used battery	2
2. Installation	3
2.1 Initial Inspection	3
2.2 Installation Environment	3
2.3 Unpacking.....	4
2.4 Moving the Cabinet.....	6
2.5 Types of UPS Cabinet.....	7
2.6 Exterior.....	8
2.7 Internal Mechanisms.....	11
2.8 Control Panel.....	15
2.9 Introduction of Modules	17
2.10 Power Cable	22
2.11 Wiring.....	23
2.12 Power Module Installation	26
2.13 Battery Module Installation.....	28
3. Operation Mode and UPS Operation	29
3.1 Block diagram of UPS	29
3.2 Operation Mode.....	30
3.3 UPS Operation.....	34
4. Control Panel and Display Description.....	44
4.1 Introduction	44
4.2 Screen Description.....	45
4.3 Alarm List	69
4.4 History Record.....	71
5. Interface and Communication	73
5.1 Dry Contact Port.....	73
5.2 Extra Comm. Slot	75
5.3 Local Communication Ports – RS232 & USB.....	75
5.4 SNMP Slot.....	75
6. Troubleshooting	76
7. Service	79
7.1 Replacement Procedures Of Power Module	79
7.2 Replacement Procedures Of STS Module	79
7.3 Replacement Procedures Of Battery Module	79
7.4 Replacement Procedures Of Air Filter	80
8. Specifications	81
8.1 Conformity And Standards	81
8.2 Environmental Characteristics	81
8.3 Mechanical Characteristics	81
8.4 Electrical Characteristics (Input Rectifier)	82
8.5 Electrical Characteristics (Intermediate DC Circuit)	82
8.6 Electrical Characteristics (Inverter Output).....	83

8.7 Electrical Characteristics (Bypass Mains Input)	83
9. UPS Installation for Parallel Rack System	84
9.1 Input and Output Wiring	84
9.2 Parallel Board Setting and Power Module	85
9.3 Parallel Function Setting.....	86
9.4 Parallel Cable Connection.....	87
9.5 Parallel System Turn On Procedure.....	87

1. Safety

1.1 Important Safety Instructions

This UPS contains LETHAL VOLTAGES. All repairs and service must be performed by AUTHORIZED SERVICE PERSONNEL ONLY. There are NO USER SERVICEABLE PARTS inside the UPS.

WARNING:

- The UPS designed for commercial and industrial purpose, it is forbidden to apply for any life sustainment and support.
- The UPS system contains its own energy source. The output terminals may carry live voltage even when UPS is disconnected to an AC source.
- To reduce the risk of fire or electrical shock, UPS installation has to be in a controlled room where temperature and humidity are monitored. Ambient temperature must not exceed 40°C. The system is only for indoor use.
- Ensure all power is disconnected before installation or service.
- Service and maintenance should be performed by qualified personnel only.

Before working on this circuit

- Isolate Uninterruptible Power System (UPS)
- Then check for Hazardous Voltage between all terminals including the protective earth.



Risk of Voltage Backfeed

The isolation device must be able to carry the UPS input current.

1.2 EMC

WARNING: This is a product for commercial and industrial application in the second environment - installation restrictions or additional measures may be needed to prevent disturbances.

1.3 Installation information

WARNING:

- Installation must be performed by qualified personnel only.
- The cabinets must be installed on a level floor suitable for computer or electronic equipment.
- The UPS cabinet is heavy. If unloading instructions are not closely followed, cabinet may cause serious injury.
- Do not tilt the cabinets more than 10 degree.
- Before applying electrical power to the UPS, make sure the Ground conductor is properly installed.
- Installation and Wiring must be performed in accordance with the local electrical laws and regulations.
- The disconnection device should be chosen based on the input current and should break line and neutral conductors - four poles for three phases.

1.4 Maintenance

WARNING:

- Only qualified service personnel should perform the battery installation.
- The following PRECAUTIONS should be observed
 - (1.) Remove watches, rings, or other metal objects.
 - (2.) Use tools with insulated handles.
 - (3.) Wear rubber gloves and boots.
 - (4.) Do not lay tools or metal parts on top of batteries or battery cabinets.
 - (5.) Disconnect the charging source prior to connecting or disconnecting terminal.
 - (6.) Check if the battery is inadvertently grounded. If it is, remove the source of grounding. Contacting with any part of the ground might result in electrical shock. The likelihood of such shock can be prevented if such grounds are removed during installation and maintenance.
- UPS is designed to supply power even when disconnected from the utility power. After disconnect the utility and DC power, authorized service personnel should attempt internal access to the UPS.
- Do not disconnect the batteries while the UPS is in Battery mode.
- Disconnect the charging source prior to connecting or disconnecting terminals.
- Batteries can result in a risk of electrical shock or burn from high short circuit current.
- When replacing batteries, use the same number of sealed, lead-acid batteries.
- Do not open or mutilate the battery. Release electrolyte is harmful to the skin and eyes, and may be toxic.

1.5 Recycling the used battery

WARNING:

- Do not dispose of the battery in a fire. Battery may explode. Proper disposal of battery is required. Refer to your local codes for disposal requirements.
- Do not open or mutilate the battery. Released electrolyte is harmful to the skin and eyes. It may be toxic.
- Do not discard the UPS or the UPS batteries in the trash. This product contains sealed, lead-acid batteries and must be disposed properly. For more information, contact your local recycling/reuse or hazardous waste center.
- Do not discard waste electrical or electronic equipment (WEEE) in the trash. For proper disposal, contact your local recycling/reuse or hazardous waste center.

2. Installation

2.1 Initial Inspection

1. Visually examine if there is any damage inside and outside of packages in the process of the transportation. If any damage, report it to the carrier immediately.
2. Verify the product label and confirm the consistency of the equipment.
3. If the equipment needs to be returned, carefully repack the equipment by using the originally packing material that came with.

2.2 Installation Environment

1. The UPS is designed for indoor use only and should be located in a clean environment with adequate ventilation to keep the environmental parameters within the required specification.
2. Make sure that transportation routes (e.g. corridor, door gate, elevator, etc.) and installation area can accommodate and bear the weight of the UPS, the external battery cabinet and handling equipment.
3. The UPS uses forced convection cooling by internal fans. Cooling air enters the module through ventilation grills located at the front of the cabinet and exhausted through grills located in the rear part of the cabinet. Please do not block the ventilation holes.
4. Ensure that the installation area is spacious for maintenance and ventilation.
5. Keep the temperature of installation area around 30°C and humidity within 90%. The highest operating altitude is 1000 meters above sea level.
6. If necessary, install a system of room extractor fans to avoid formation of room temperature. Air filters are necessary if the UPS is operated in a dusty environment.
7. It is recommended that you parallel the external battery cabinets to the UPS. The following instructions of clearances are suggested:
 - Keep a clearance of 100cm from the top of the UPS for maintenance, wiring and ventilation.
 - Keep a clearance of 100cm from the back of the UPS and the external battery cabinets for ventilation.
 - Keep a clearance of 150cm from the front of the UPS and the external battery cabinets for maintenance and ventilation.
8. For safety concerns, we suggest that you shall:
 - Equip with CO2 or dry powder fire extinguishers near the installation area.
 - Install the UPS in an area where the walls, floors and ceilings were constructed by fireproof materials.
9. Do not allow unauthorized personnel to enter the installation area. Assign specific personnel to keep the UPS key.

2.3 Unpacking

1. Use a forklift to move the product to installed area. Refer to Figure 2-1. Please make sure the bearing capacity of forklift is sufficient.
2. Please follow the orders in Figure 2-2 to remove carton and foams.

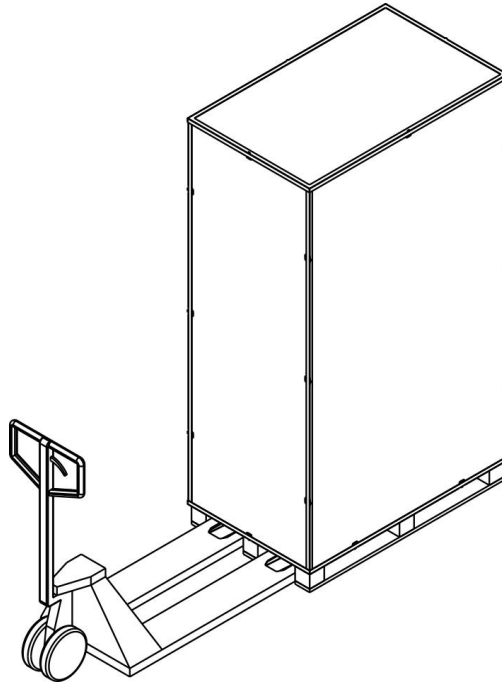


Figure 2-1

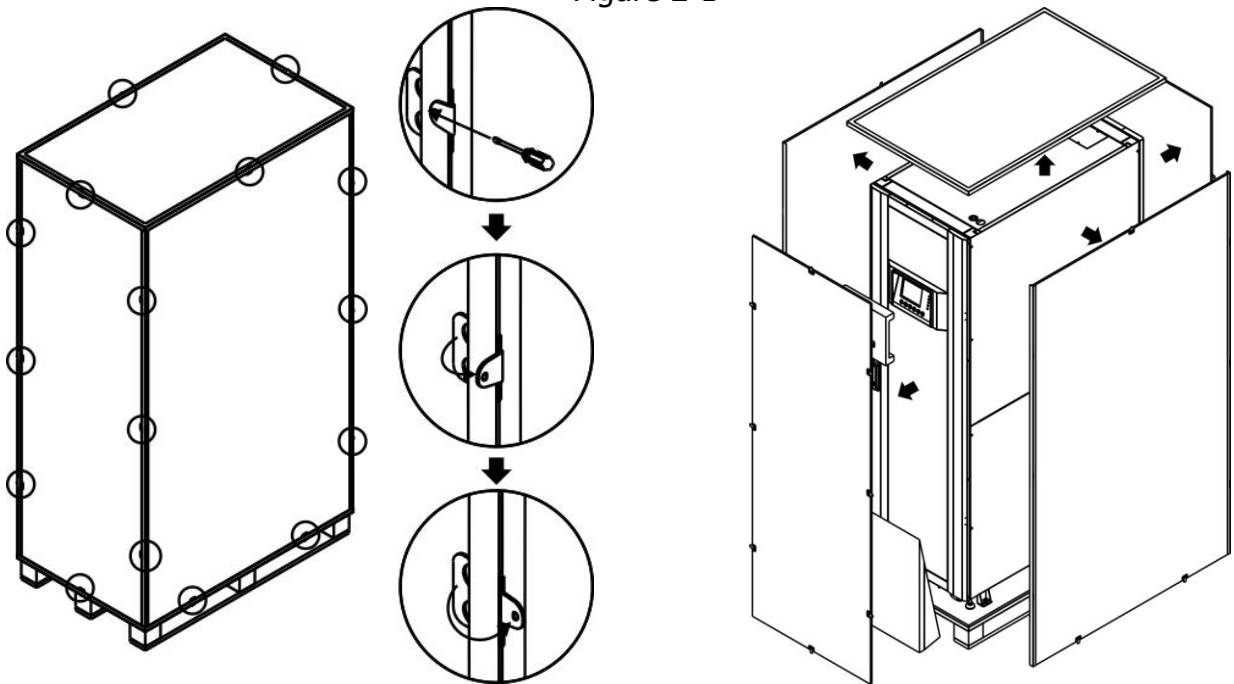


Figure 2-2

- Put a ramp in the front of the cabinet and insert small wood into groove. Then, remove two side panels. Refer to Figure 2-3.

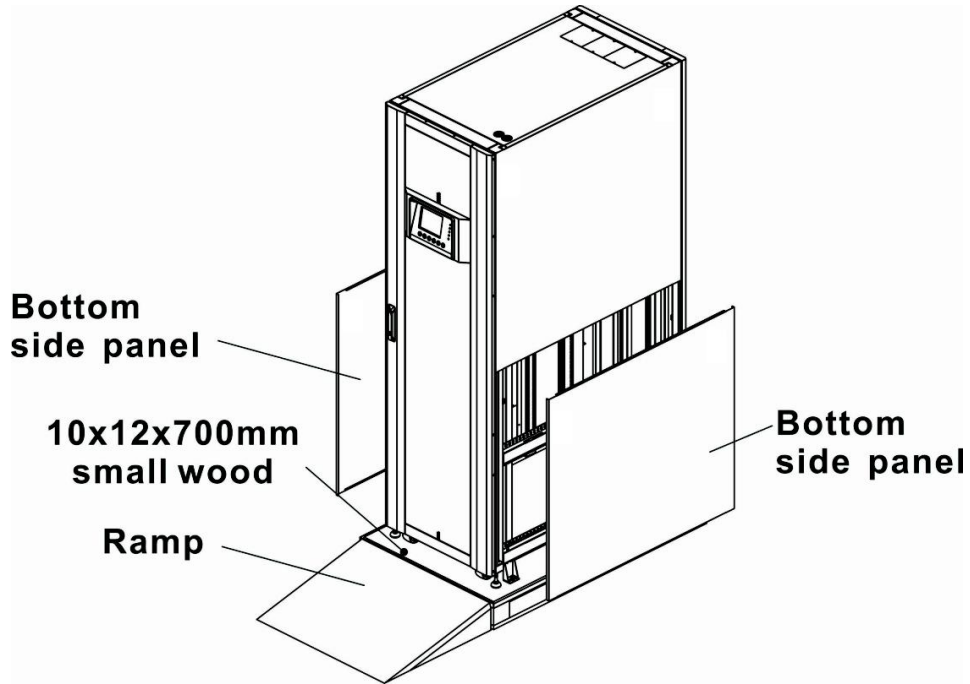


Figure 2-3

- Remove 4 fixing cabinet plates and loosen leveling feet by rotating them counterclockwise. Then, move the cabinet from the pallet. Refer to Figure 2-4.
- To fix the cabinet in position, simply rotate leveling feet clockwise. Refer to Figure 2-5.

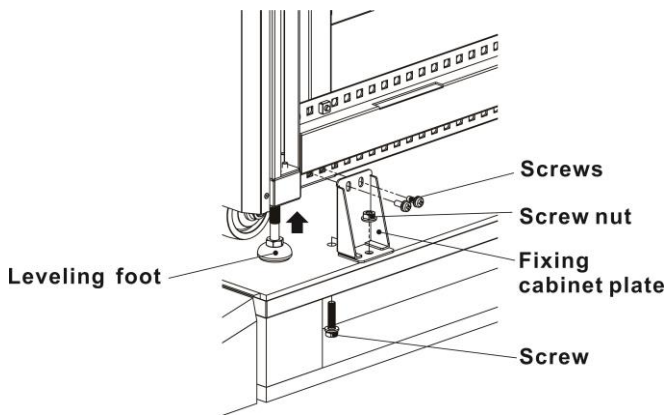


Figure 2-4

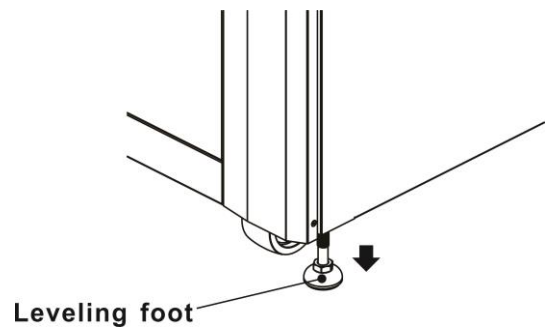
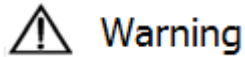


Figure 2-5

2.4 Moving the Cabinet



Warning

The UPS is fixed on the pallet with 4 fixing cabinet plates. When removing it, pay attention to the movement of the casters to avoid accidents.

The cabinet can be pushed forward or backward only. Pushing it sideward is not allowed.

When pushing the cabinet, pay attention not to overturn it as the gravity center is high.

1. If you need to move the UPS over a long distance, please use appropriate equipment like a forklift. Do not use the UPS casters to move over a long distance.
2. After the UPS has been removed from the pallet to ground, we suggest that at least three people move the UPS to the installation area. One person holds a lateral side of the UPS with hands, another holds the other lateral side of the UPS with hands, and the other person pushes the UPS either from the front side or from the back side to the installation area and avoid tipping the UPS.
3. The casters are designed to move on level ground. Do not move the UPS on an uneven surface. This might cause damage to the casters. Toppling the UPS could also damage the unit.
4. Ensure that the weight of UPS is within the designated bearing capacity of any handling equipment.
5. At the bottom of the UPS, the four casters help you to move the UPS to a designated area. Before you move the UPS, please turn the four leveling feet counterclockwise to raise them off the ground. This protects the leveling feet from damage when moving the UPS. Refer to Figure 2-6.

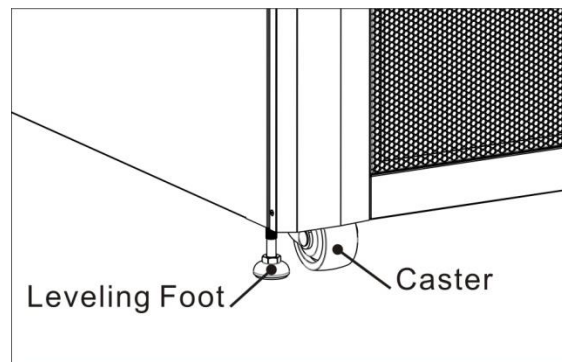


Figure 2-6

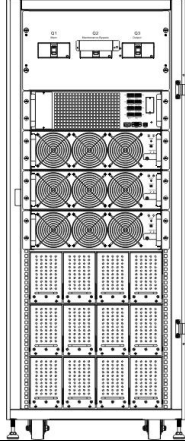
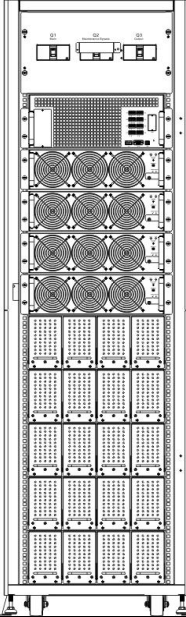
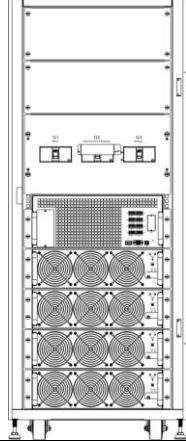
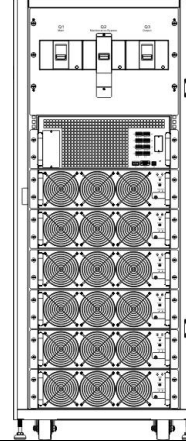
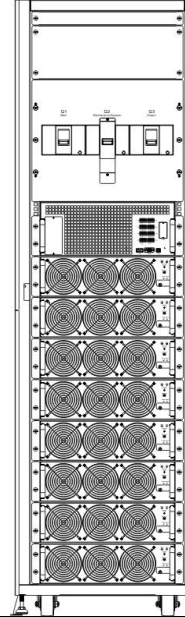
2.5 Types of UPS Cabinet

There are two series of UPS cabinets, standard and extended for different requirements.

The standard cabinets have the battery modules inside and they can work as a stand-alone UPS or be connected to battery externally.

The extended cabinets don't have the battery module compartments. The battery has to be connected externally.

Please consider the external battery space and wiring gauge for installation.

	Standard Series		Extended Series		
Photo					
Cabinet Height	30U	42U	30U	30U	42U
Switch Unit	1	1	1	1	1
STS	1	1	1	1	1
Max. Power Module	3	4	4	6	8
Battery Module	12	20	N/A	N/A	N/A

2.6 Exterior

In the front of the UPS, there are control interface (LCD Panel) and door lock. The side panels are lockable. The casters at the bottom of the UPS cabinet can be used to move over short distances. There are four leveling feet to fix and stabilize the UPS cabinet on the ground. Refer to Figure 2-7.

Inside the cabinet, there are Breakers, STS Module, Power Module slots and Battery module slots (Battery Module Slots is only for standard series). All wiring terminal blocks are located in the back of cabinet.

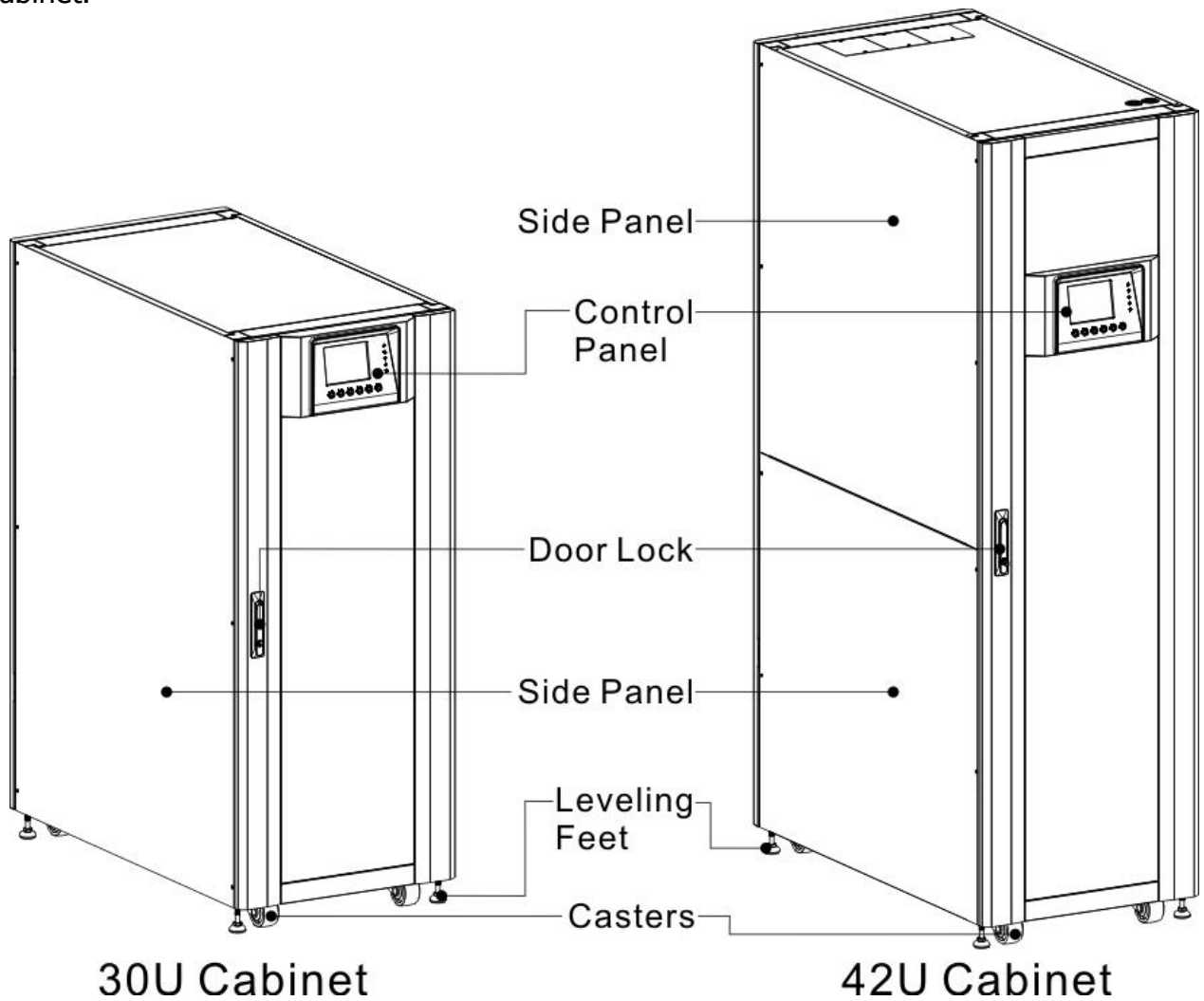


Figure 2-7 Exterior

2.6.1 Mechanical Data

Dimensions			
UPS cabinet	Width	Depth	Height
30U	600mm	1100m	1475mm
42U	600mm	1100m	2010mm

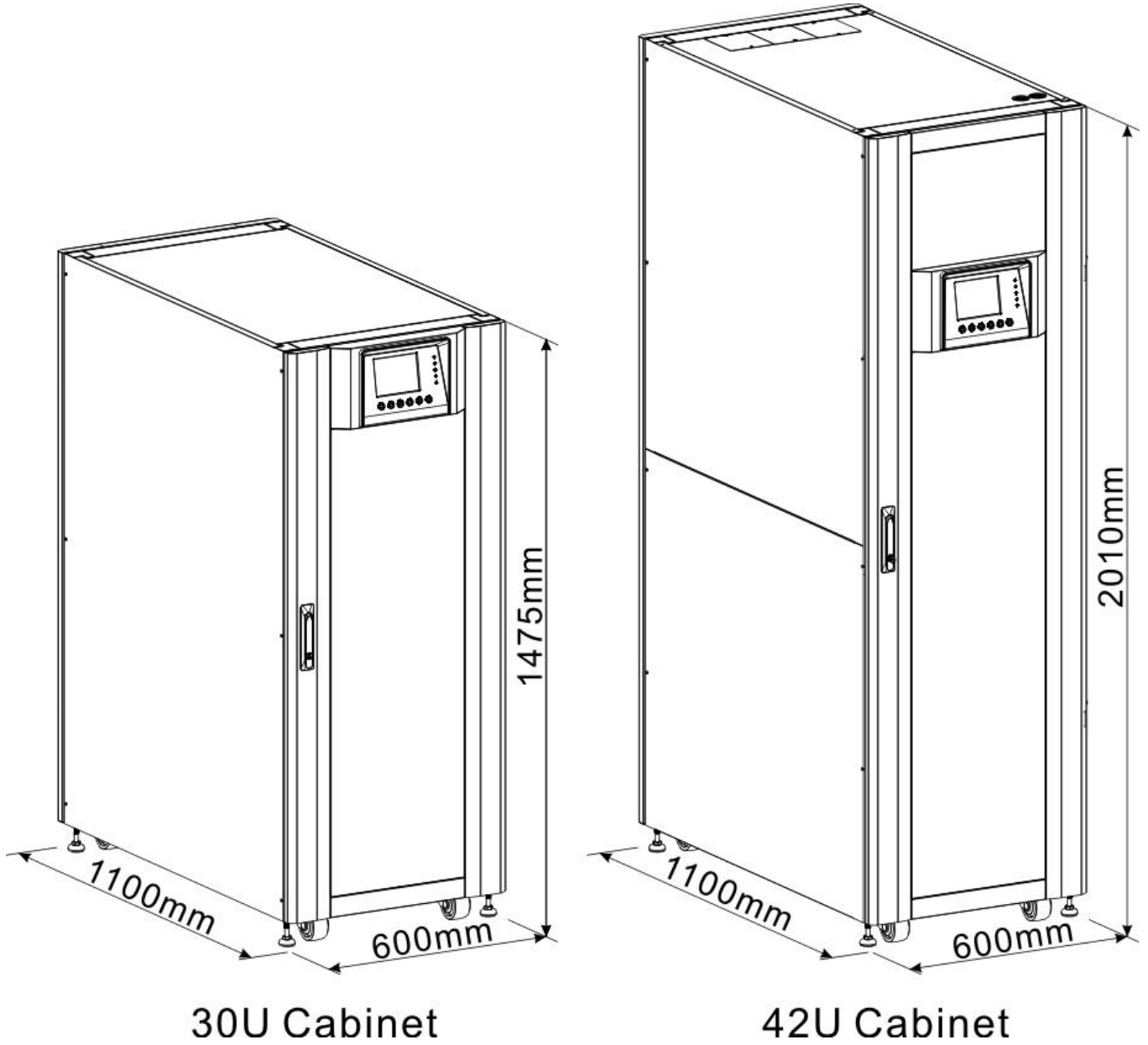


Figure 2-8 Dimensions

2.6.2 Front View

Unlock and open the front door and you will see the Main Breaker (Q1), Maintenance Breaker (Q2), Output Breaker (Q3), STS Module, Power Module slots and Battery Module slots (Battery Module Slots is only for standard series).

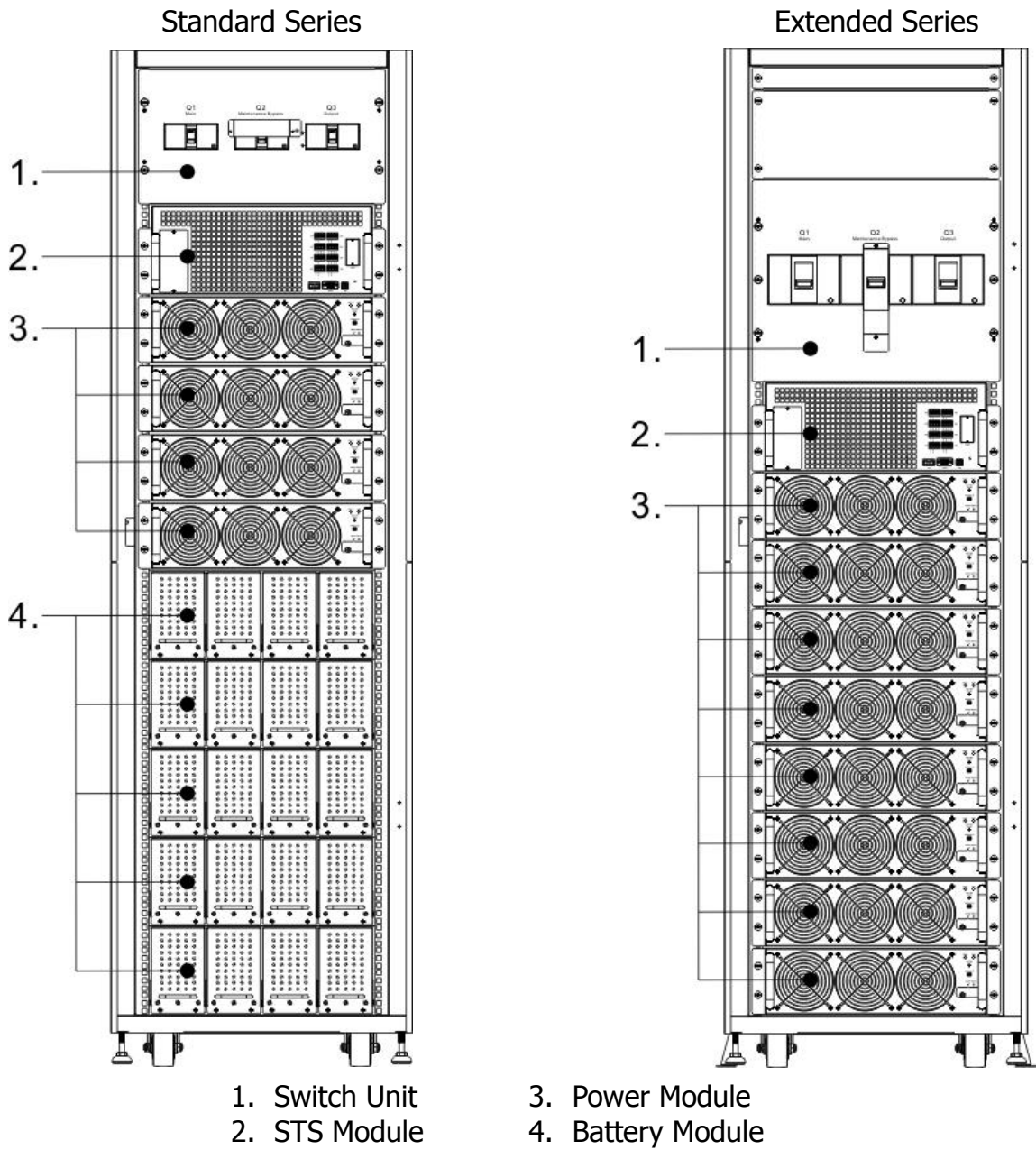


Figure 2-9 Front View

2.6.3 Rear View

Unlock and open the rear door and you will see the rear panel of UPS. There is a Battery Breaker for internal battery modules in the standard series, but there isn't any in the extended series.

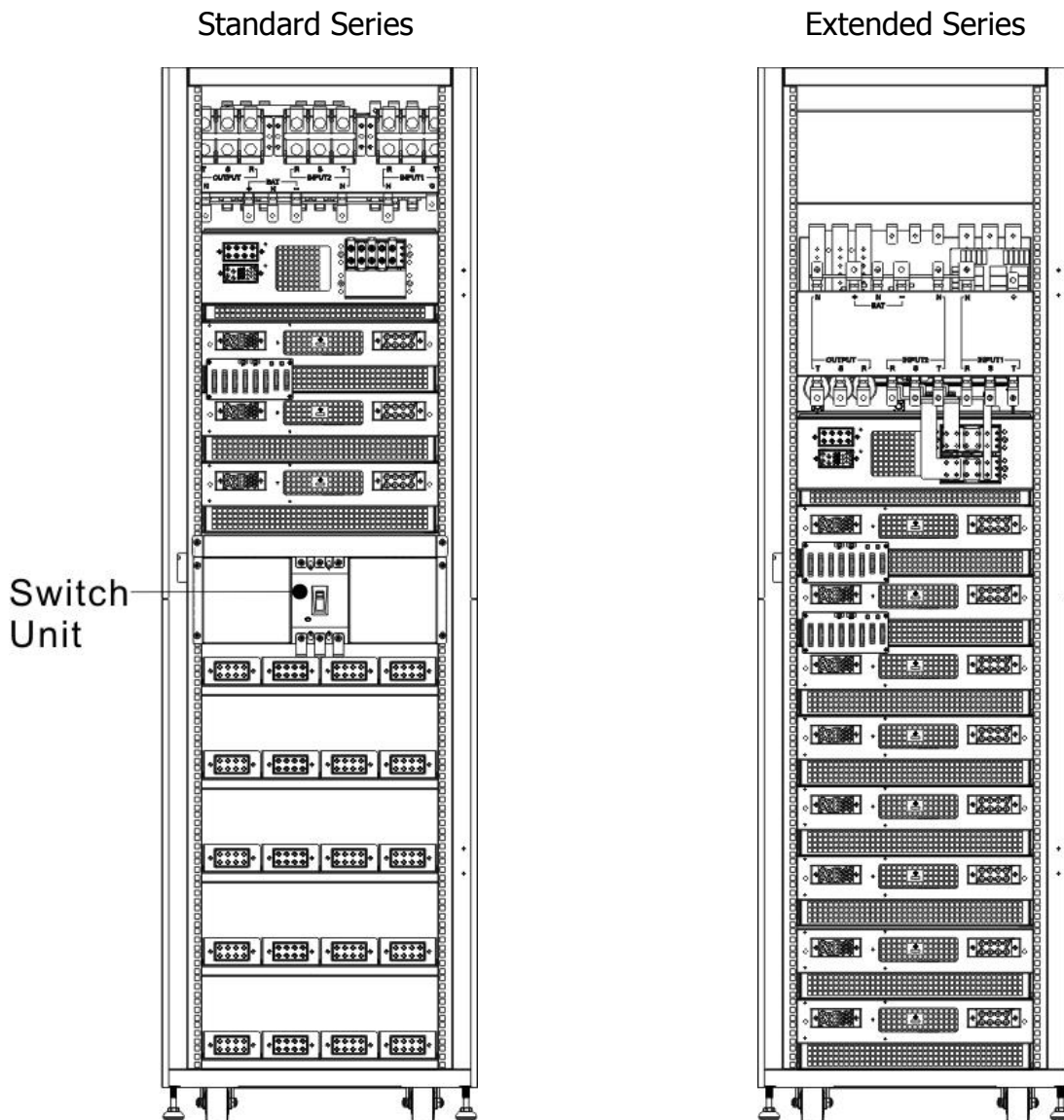


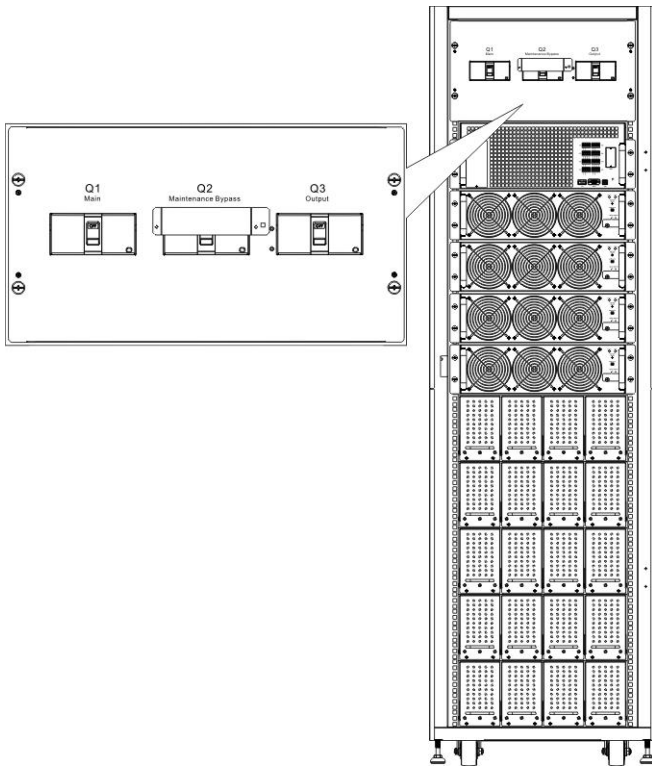
Figure 2-10 Rear View

2.7 Internal Mechanisms

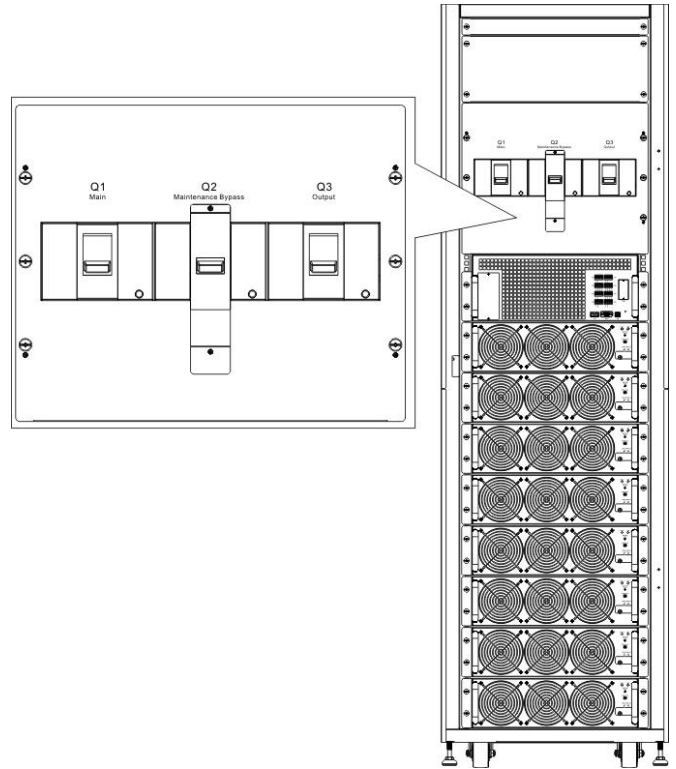
2.7.1 Breakers

After opening the front door, there are three breakers, Main Breaker (Q1), Maintenance Breaker (Q2) and Output Breaker (Q3).

For the standard series, there is a battery breaker for internal battery modules. You can see it when you open the rear door.

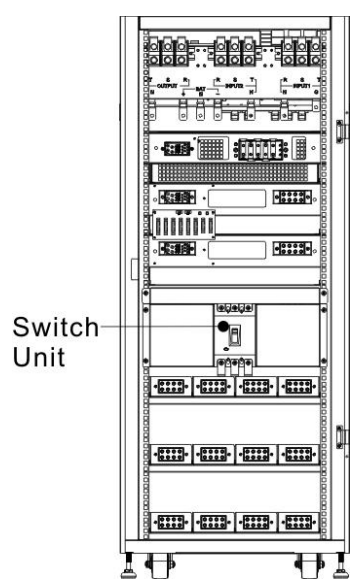


Standard Series (42U Front)

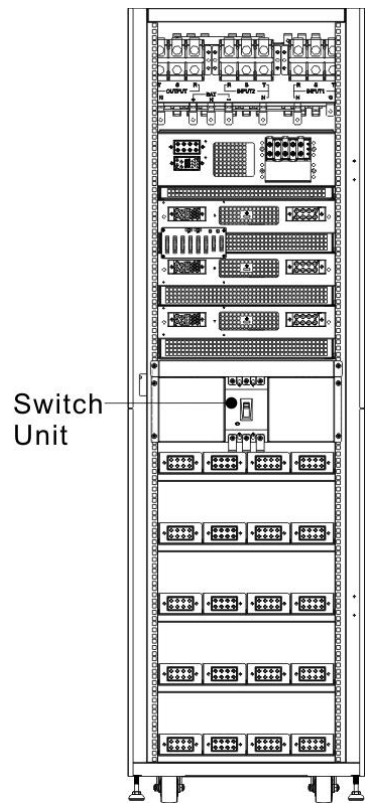


Extended Series (42U Front)

Figure 2-11 Front Breakers



Standard Series (30U Rear)



Standard Series (42U Rear)

Figure 2-12 Rear Breaker

2.7.2 Wiring Terminal Blocks

Open the UPS's back doors and you will see the wiring terminal block. For UPS cabinet wiring, please refer to Figure 2-13.

No.	Item	Function	Description
①	Output Block	Connects the critical loads	Includes R, S, T and Neutral terminals.
②	Bypass Input Block	Connects bypass AC source	Includes R, S, T and Neutral terminals.
③	Main Input Block	Connects main AC source	Includes R, S, T and Neutral terminals.
④	For UPS Grounding	For UPS grounding	Includes one grounding terminal.
⑤	Battery Input Block	Connects an external battery cabinet	Includes Positive (+), Negative (-) and Neutral (N) terminals.

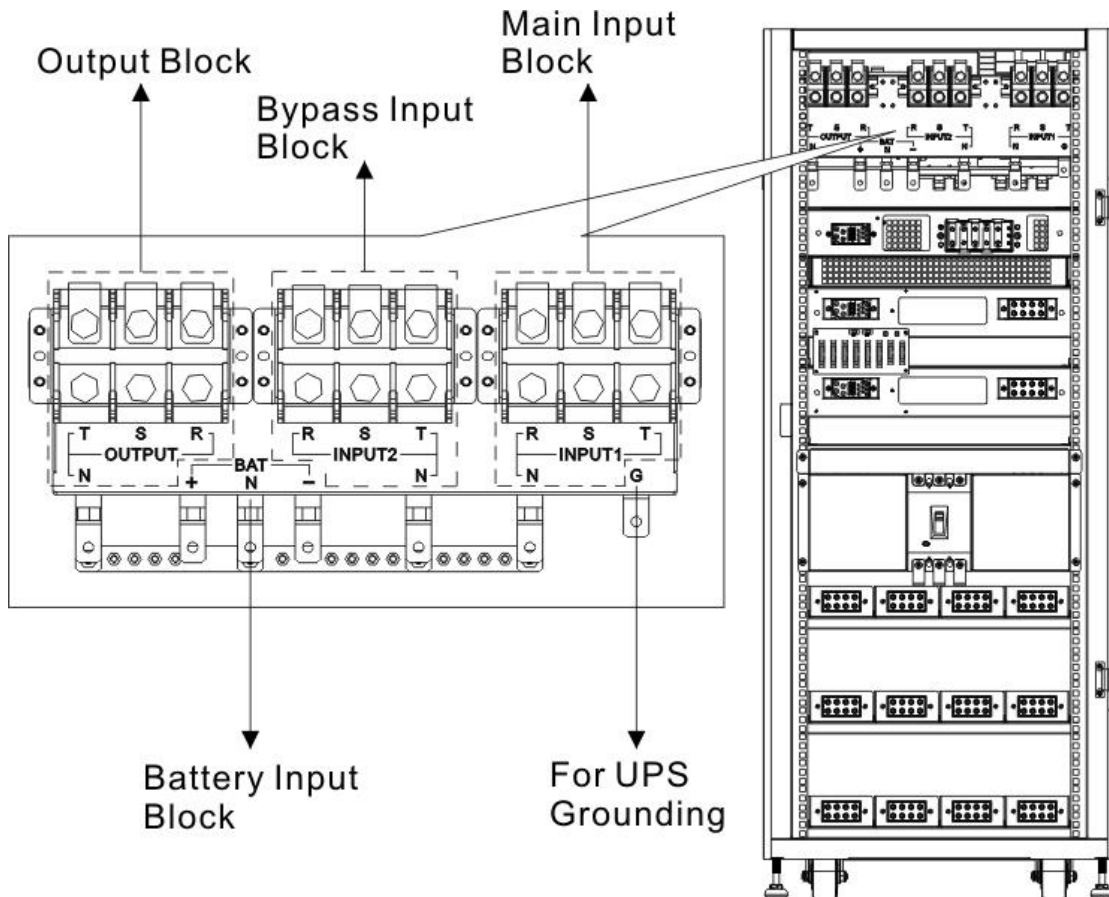


Figure 2-13 Standard Series (30U) Terminal Blocks

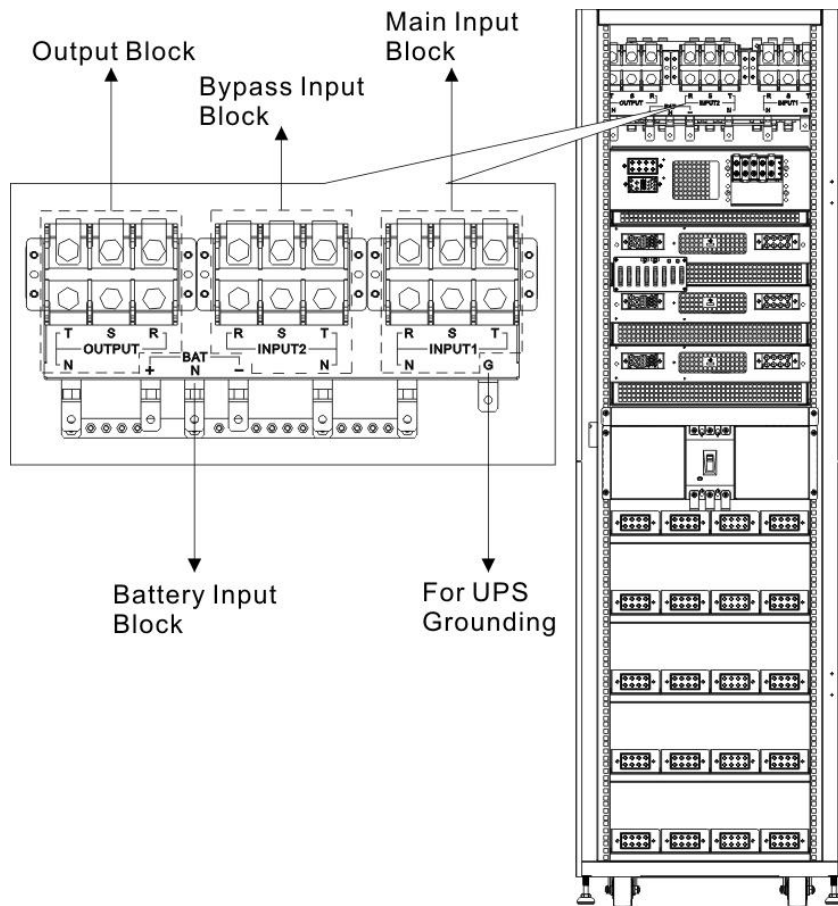


Figure 2-14 Standard Series (42U) Terminal Blocks

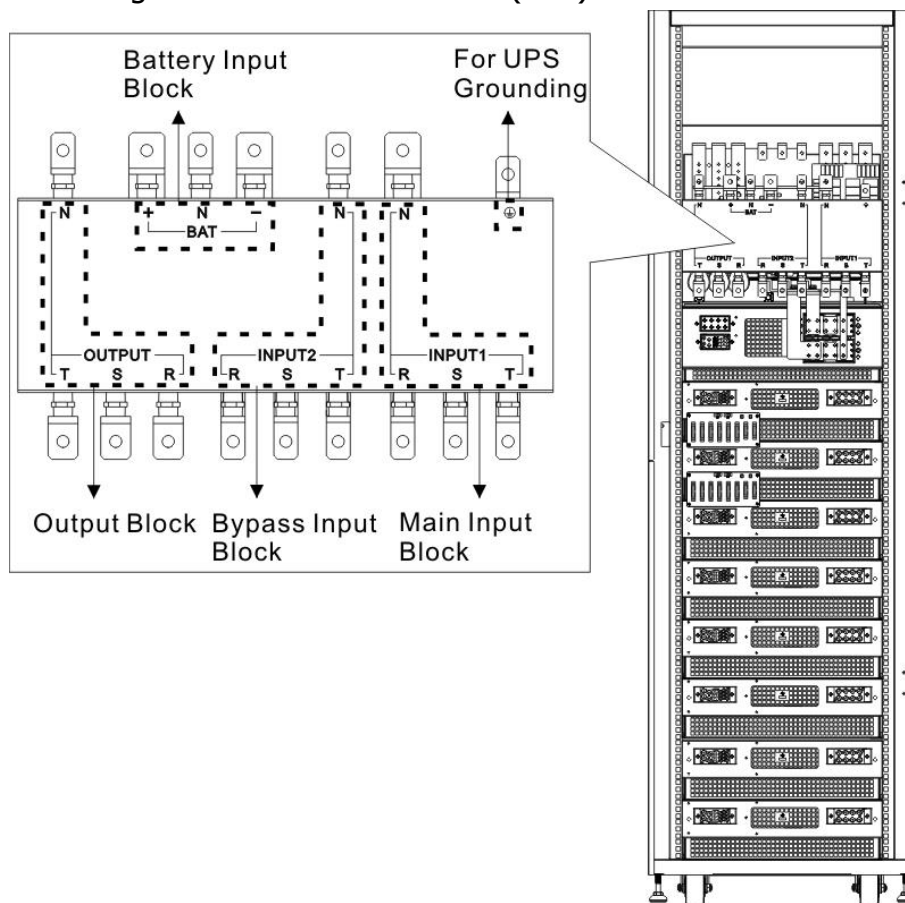


Figure 2-15 Extended Series (42U) Terminal Blocks

2.8 Control Panel

2.8.1 LCD Display

Through the graphic LCD display, the user can easily understand the operation mode of UPS. In addition, the measurement, parameters, versions of firmware and warnings can be browsed in the friendly interface. For detailed information, please refer to Charter 4.

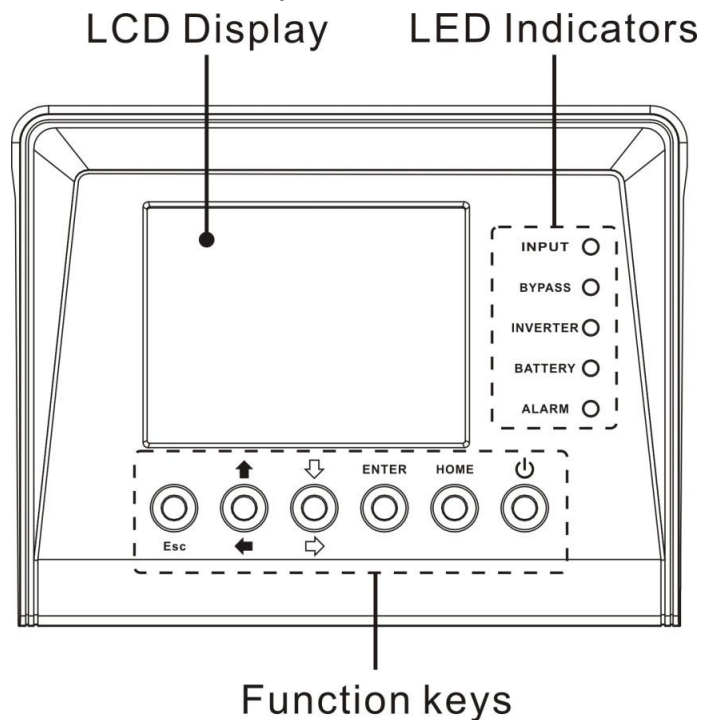


Figure 2-16 Control Panel

2.8.2 LED Indicators

LED	Color	Status	Definition
INPUT	Green	On	Input source is normal.
		Flashing	Input source is abnormal.
		Off	No input source
BYPASS	Yellow	On	Load on Bypass.
		Flashing	Input source is abnormal.
		Off	Bypass not operating.
INVERTER	Green	On	Load on inverters.
		Off	Inverters not operating.
BATTERY	Red	On	Load on Battery.
		Flashing	Low battery
		Off	Battery converter is normal and battery is charging.
ALARM	Red	On	UPS fault.
		Flashing	UPS alarm.
		Off	Normal.

2.8.3 Function Keys

Control Key	Description
Esc	<ul style="list-style-type: none">● When it is in Main screen, you can enter menu by pressing ESC key.● Return to previous screen, when screen is not in Main screen.● Return to previous value in the same row, so you can change it. For example, when changing 4-digit password, press "Esc" to allow cursor back to previous digit.
↑ (Up) ← (Left)	Key for menu page navigation or digit modification.
↓ (Down) ⇒ (Right)	Key for menu page navigation or digit modification.
Enter	Confirmation of commands, or cursor displacement.
Home	Return to Main screen.
⏻ Power On/Off	Turn on UPS or turn off UPS.

2.9 Introduction of Modules

The design of STS Module, Power Module and Battery Module make maintenance and replacement quick and easy.

The modular and hot-swappable design of Power Module makes it a highly cost-effective solution to meet your power requirement. The number of Power Modules installed in the UPS can be based on the initial needs. Once the power requirement increases, you can easily install more Power Modules without interrupting the operation of the system.

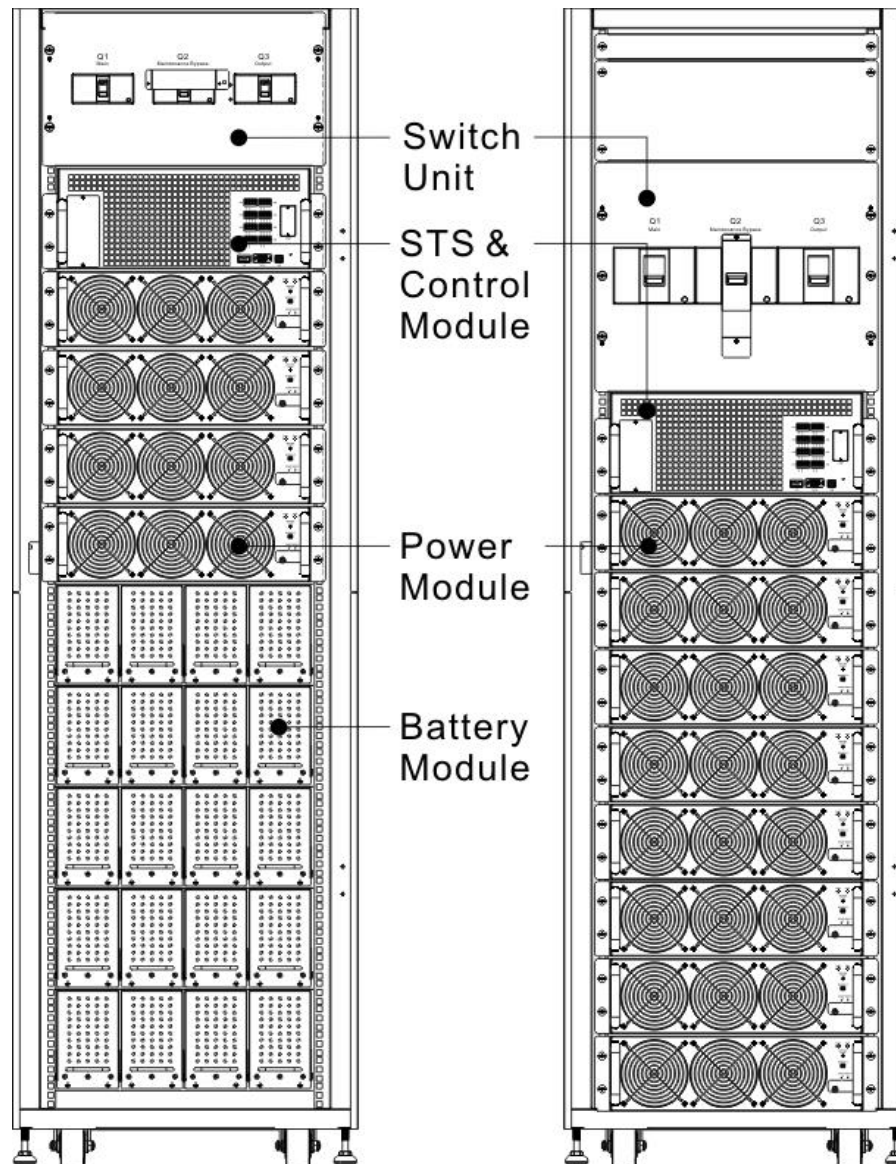


Figure 2-17 Front View of Module

2.9.1 STS Module

The STS Module is installed before leaving factory. It provides the bypass power when UPS is in Bypass Mode.

In addition to offering bypass power, it includes some communication interfaces. For detailed information, please refer to Charter 5.

No.	Item	Description
①	Extra Comm. Slot	This slot can insert an optional card, Extra Comm. card which can enhance the communication capability of UPS system. It can provide another SNMP slot and some dry contact ports.
②	LCD Port	This port connects to Control Panel with a factory installed cable.
③	RS232 port	Local communication interface.
④	USB port	Local communication interface.
⑤	SNMP Slot	This slot can work with optional cards, SNMP, AS400 or Modbus card.
⑥	Dry contact ports	CN1 ~ CN8. For detailed information, please refer to Chapter 5.

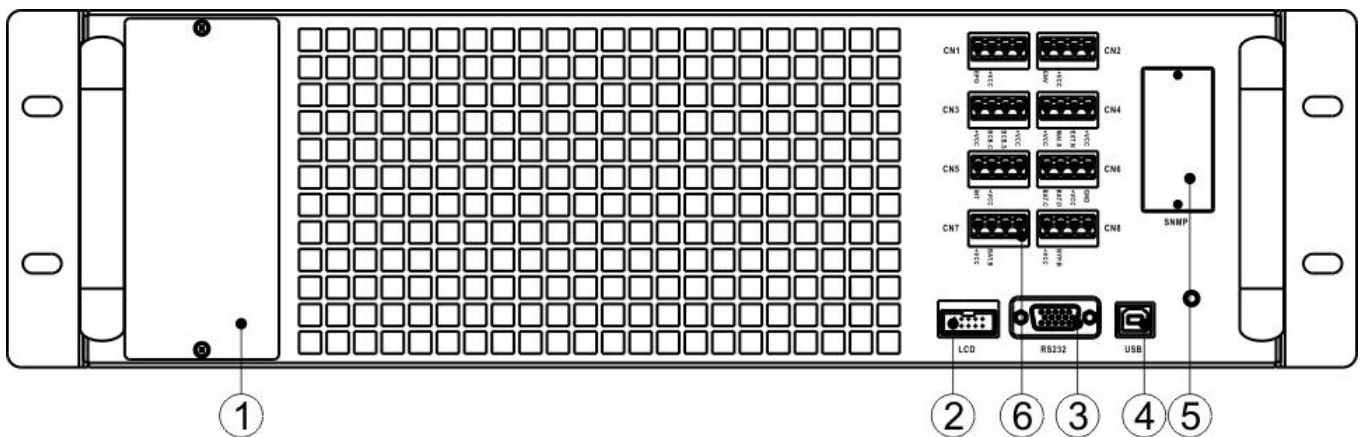


Figure 2-18 STS Module

2.9.2 Power Module

Each Power Module is shipped with its own package. It has to be installed during the UPS system installation.

The capacity of each Power Module is 30kVA/30kW. It includes a power factor correction rectifier, a battery charger, an inverter and control circuit.

No.	Item	Description	
①	Fan	The Power Module uses forced convection cooling by these fans. Cooling air enters the module through ventilation grills and exhausted through grills located in the rear of the module. Please do not block the ventilation area.	
②	Ready Switch	Unlock it before removing the Power Module. Lock it when the Power Module is well installed. Then the Power Module can start to work.	
③	DIP Switches	There are three DIP switches for Power Module address setting. In the same cabinet, each Power Module ID MUST be exclusive. The setting method is shown in Table 2-1 .	
④	Battery Start Button	When AC input is not existing, use this button to start battery power for UPS.	
⑤	FAULT LED	ON	The Power Module is in fault condition or the Ready Switch is unlocked.
		ON/OFF 0.5 sec	The Power Module IDs conflict.
		ON/OFF 0.15 sec	The STS Module is not found.
⑥	RUN LED	ON	The Power Module normally works as a slave module.
		ON/OFF 0.5 sec	The Power Module normally works as a master module.
		ON/OFF 0.15 sec	The CAN Bus communication doesn't work.

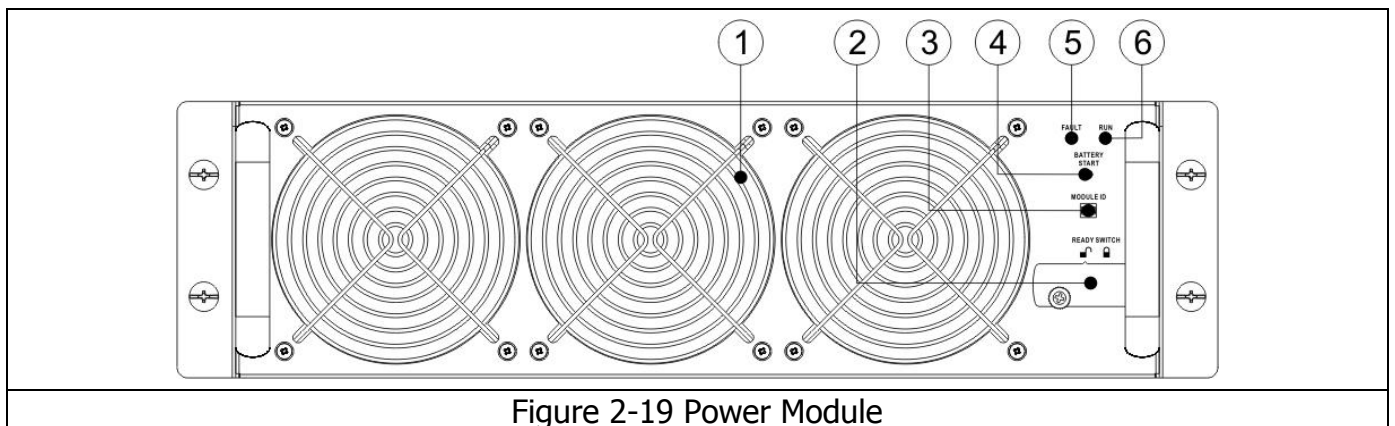


Figure 2-19 Power Module

Module Address	DIP SWITCH	Module Address	DIP SWITCH
0		1	
2		3	
4		5	
6		7	

Table 2-1 DIP switch setting and Module Address

Power Module ID Assignment

According to the Module Address and the position of SW1 and SW2, the Power Module's ID is assigned. The Module ID is shown in **Table 2-2**.

These two switches, SW1 & SW2 are mounted in the Parallel board which is located at the back of UPS cabinet. Refer to Figure 2-20.

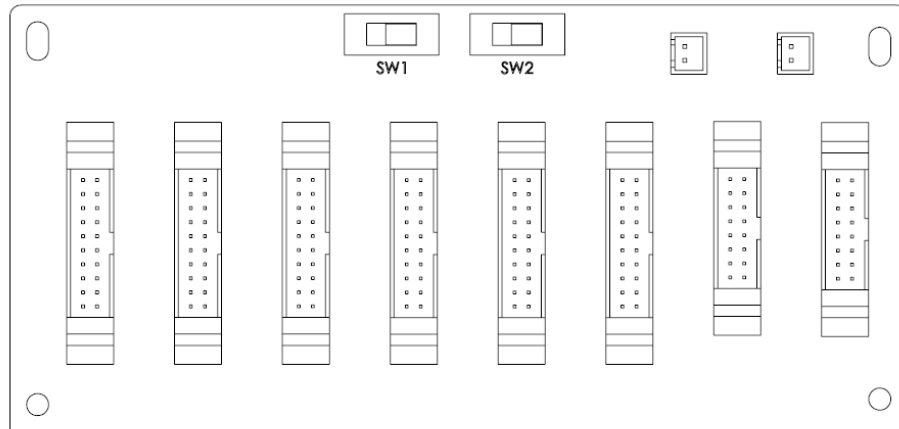


Figure 2-20 Parallel Board

The SW1 and SW2 position have been well installed before leaving factory. It's not necessary to change it for single UPS system application. But for Parallel UPS system application, please follow the instructions in Chapter 9 "UPS Installation for Parallel Rack System" to adjust SW2.






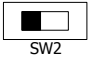

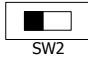
SW1 & SW2	Module Address	Module ID	SW1 & SW2	Module Address	Module ID
 	0	0	 	0	9
	1	1		1	10
	2	2		2	11
	3	3		3	12
	4	4		4	13
	5	5		5	14
	6	6		6	15
	7	7		7	16
 	0	18	 	0	27
	1	19		1	28
	2	20		2	29
	3	21		3	30
	4	22		4	31
	5	23		5	32
	6	24		6	33
	7	25		7	34

Table 2-2 Module ID Assignment

2.9.3 Battery Module

The Battery Module is shipped with its own package. The inside batteries can be installed at factory or installed by the end user. A Battery Module contains 10 pcs of 12V/9Ah batteries at maximum.

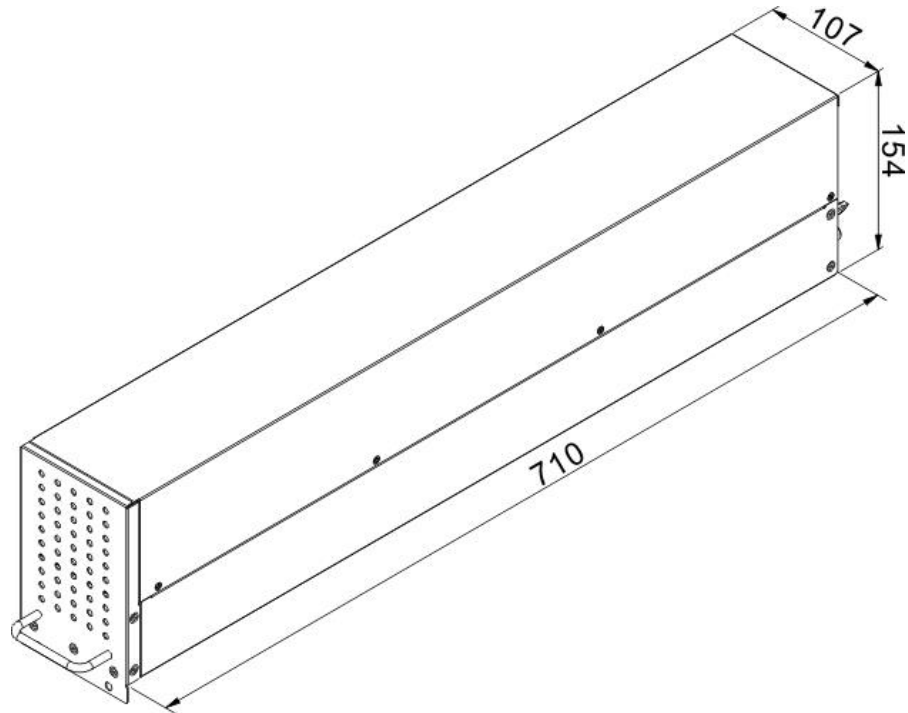


Figure 2-21 Battery Module

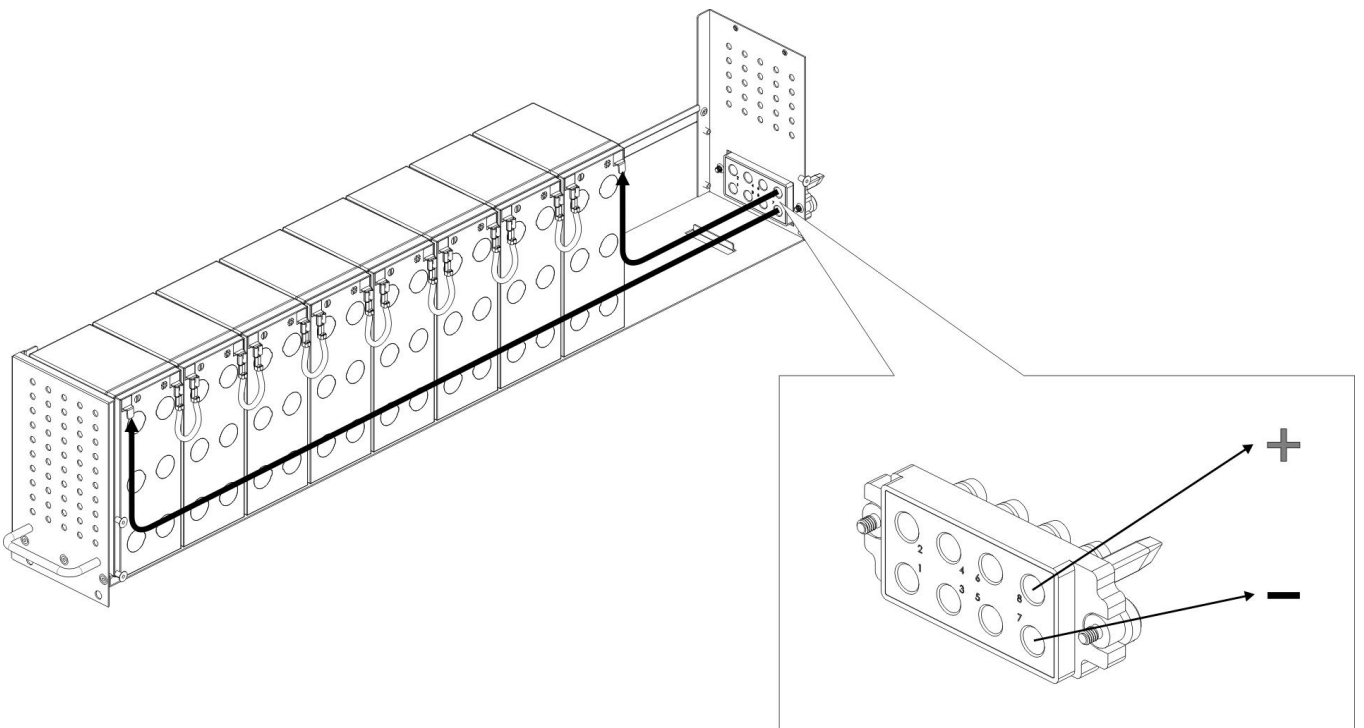
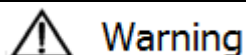


Figure 2-22 Internal Wiring of Battery Module

2.10 Power Cable



Warning

Please follow the local wiring regulations. Follow environmental conditions and refer to IEC60950-1.

2.10.1 AC input and output maximum current and power cable configuration.

For standard model in 30U cabinet (Battery inside)

Model	30KVA	60KVA	90KVA
Current (A)	55	110	165
Power cable (mm ²)	10	35	70
Fixation torque force (lb-in)	20	20	20

For standard model in 42U cabinet (Battery inside)

Model	30KVA	60KVA	90KVA	120KVA
Current (A)	55	110	165	220
Power cable (mm ²)	10	35	70	95
Fixation torque force (lb-in)	20	20	20	20

For extended series in 30U & 42U cabinet

Model	30KVA	60KVA	90KVA	120KVA	150KVA	180KVA	210KVA
Current (A)	55	110	165	220	275	330	385
Power cable (mm ²)	10	35	70	95	150	240	300
Fixation torque force (lb-in)	20	20	20	20	20	20	20

Notice: Installer has to consider the max. current and wiring gauge when considering future extension.

2.10.2 DC input maximum current and power cable configuration.

For standard series in 30U cabinet (Battery inside)

Model	30KVA	60KVA	90KVA
Current (A)	100	200	300
Power cable (mm ²)	25	95	150
Fixation torque force (lb-in)	20	20	20

Warning:

1. When Load is less than 30KVA, at least two layers of battery modules (8 modules) have to be installed.
2. When Load is between 30KVA and 60KVA, three layers of battery modules (12 modules) have to be installed in total.
3. When Load is larger than 60KVA, the external battery cabinet must be installed.
4. The same type of battery has to be used, if the battery is in parallel application.

For standard series in 42U cabinet (Battery inside)

Model	30KVA	60KVA	90KVA	120KVA
Current (A)	100	200	300	400
Power cable (mm ²)	25	95	150	240
Fixation torque force (lb-in)	20	20	20	20

Warning:

1. When Load is less than 30KVA, at least two layers of battery modules (8 modules) have to be installed.
2. When Load is between 30KVA and 60KVA, at least three layers of battery modules (12 modules) have to be installed.
3. When Load is between 60KVA and 90KVA, at least five layers of battery modules (20 modules) have to be installed.
4. When Load is larger than 90KVA, the external battery cabinet must be installed.
5. The same type of battery has to be used, if the battery is in parallel application.

For extended series in 30U & 42U cabinet

Model	30KVA	60KVA	90KVA	120KVA	150KVA	180KVA	210KVA
Current (A)	100	200	300	400	500	600	700
Power cable (mm ²)	25	95	150	240	120 x 2	150 x 2	240 x 2
Fixation torque force (lb-in)	20	20	20	20	20	20	20

2.11 Wiring

WARNING:

- Before connecting any wire, make sure the AC input and battery power is completely cut off.
- Make sure the breakers, Main Breaker (Q1), Maintenance Breaker (Q2), Output Breaker (Q3) and battery breaker are all in the **OFF** position.

2.11.1 Installation Drawing

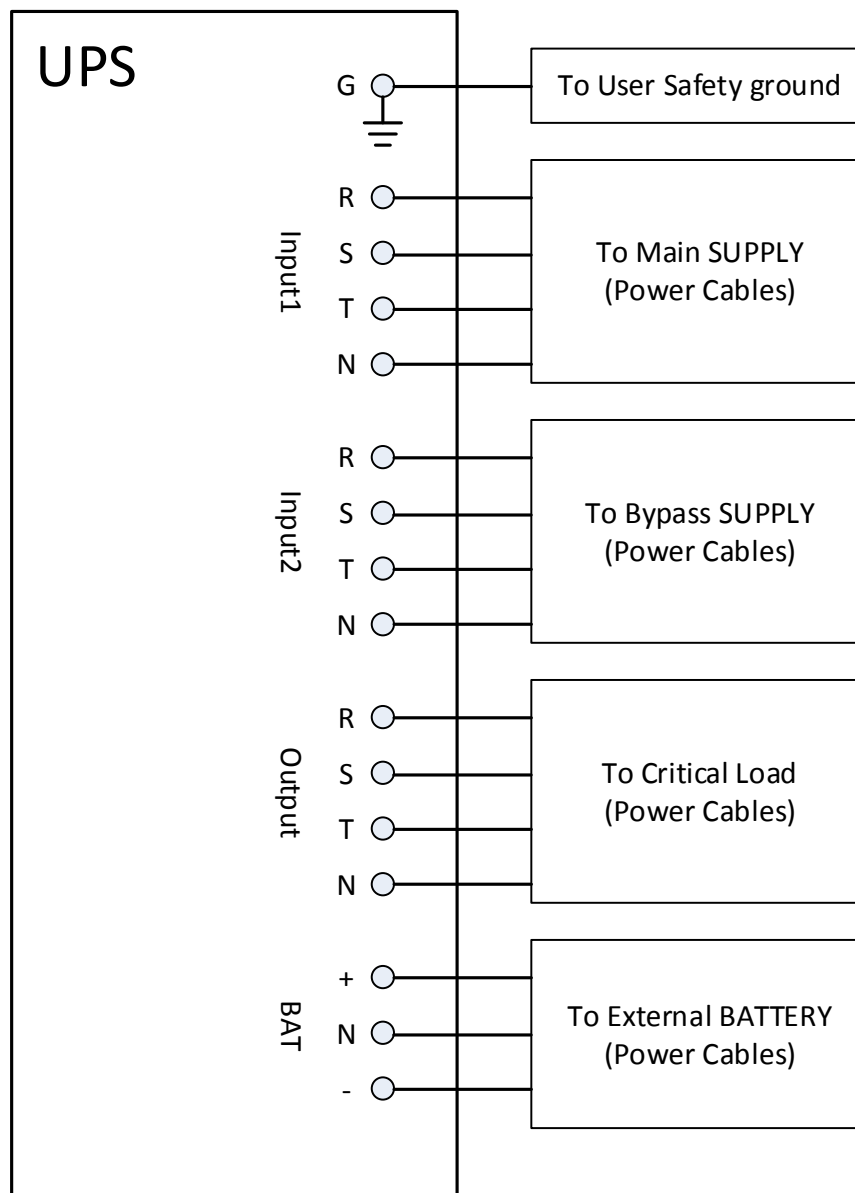


Figure 2-23 UPS Cabinet Wiring

2.11.2 AC source connection

For **Single input** application, connect Input1 to the AC power source and use 3 short wires to connect Input1 and Input2.

For **Dual input** application, connect input1 to the Main AC power source and connect input2 to the Bypass power source.

The sequence of three phase, R, S and T must be connected accordingly. The wrong sequence will alarm a warning when the UPS is powered.

The N must be connected firmly. A warning message will be indicated, if the N is not connected well.

2.11.3 External Battery Cabinet Connection

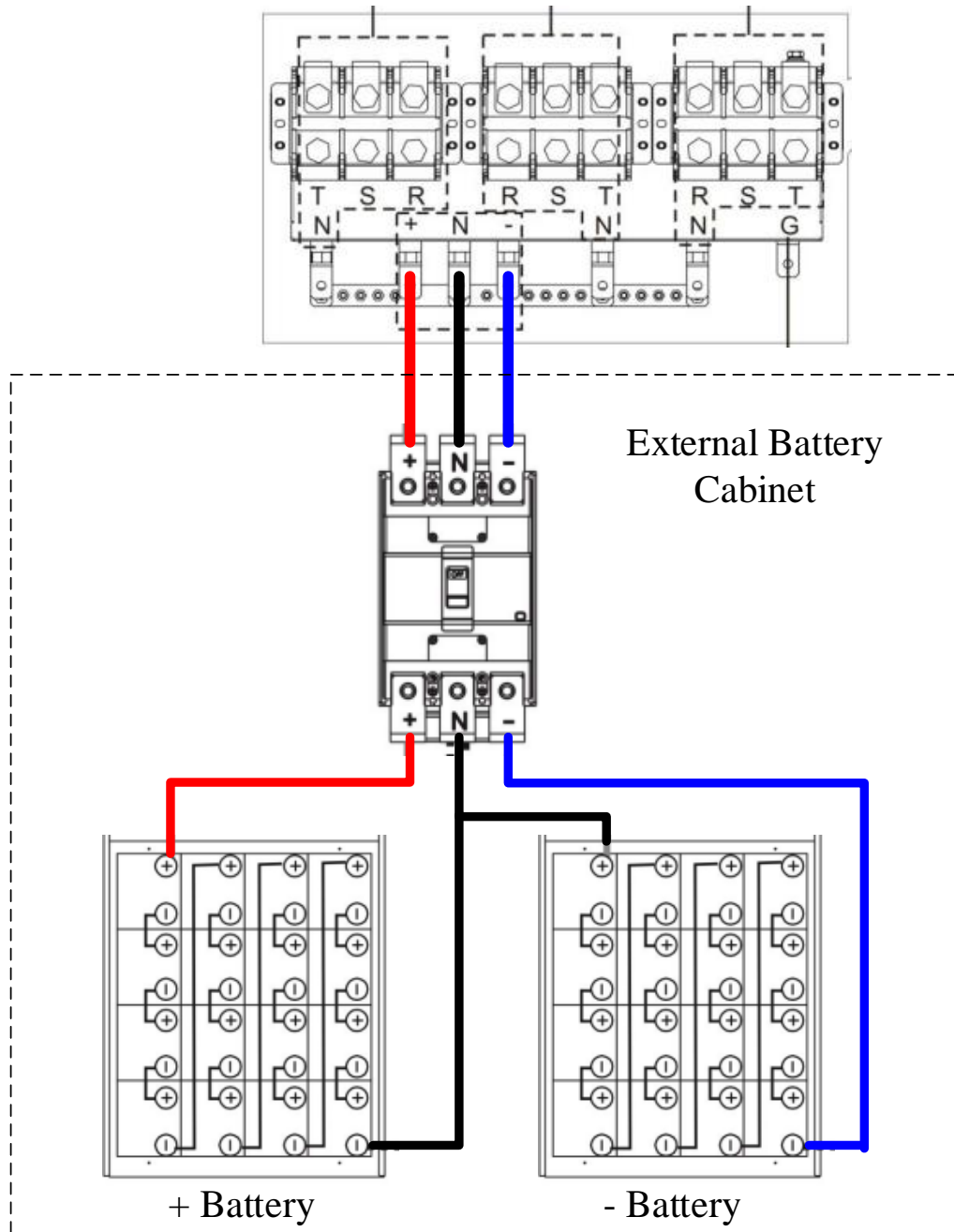
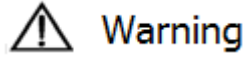


Figure 2-24 External Battery Cabinet Wiring

After the battery is completely installed, be sure to set up nominal battery voltage, battery capacity and maximum charging current in LCD setting. Otherwise, if battery setting is different from actual installation, the UPS will keep warning. Please refer to section 4.2.6.3 and **Table 4-9** for the details.

2.12 Power Module Installation

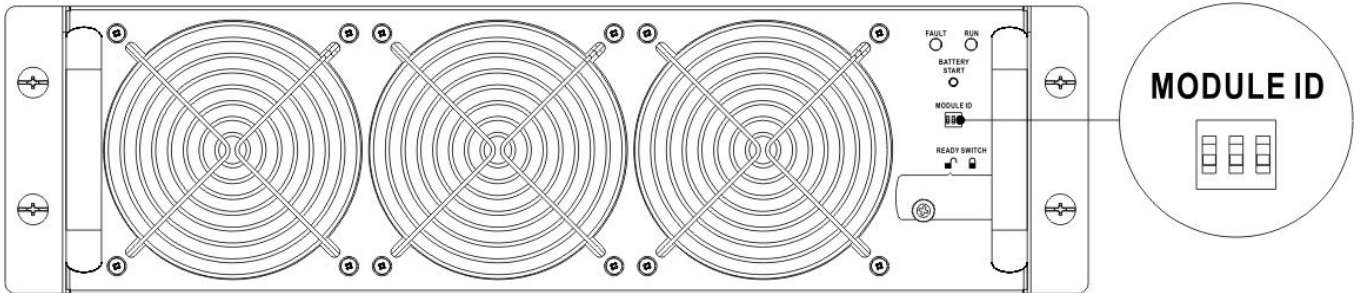



Warning

The weight of Power Module is over 30Kg so at least two persons are required for handling.

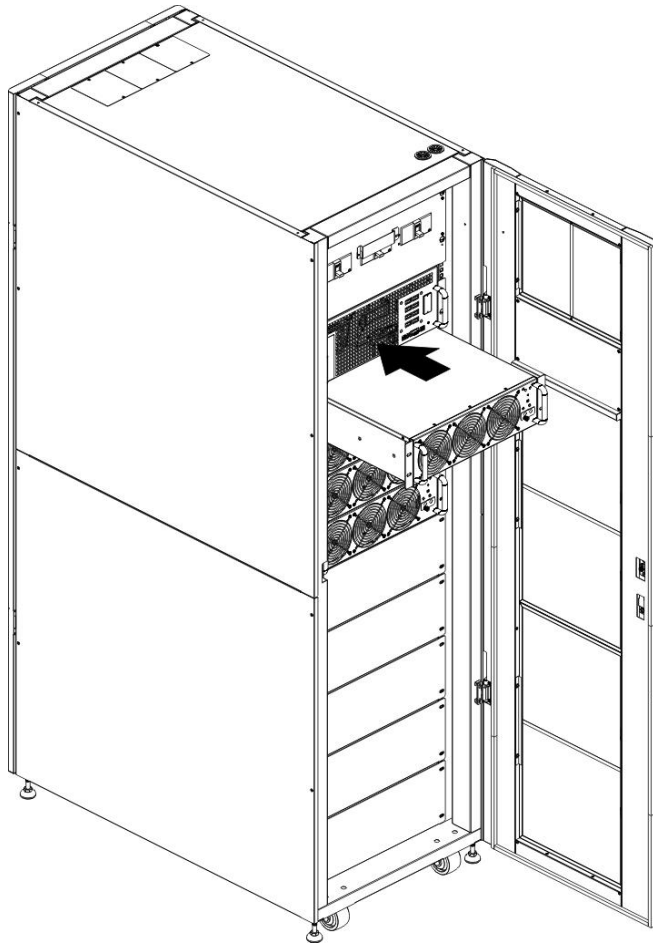
2.12.1 Insert the Power Module

(1.) Adjust the DIP switch positions to set the different Module Address. Refer to **Table 2-1**.

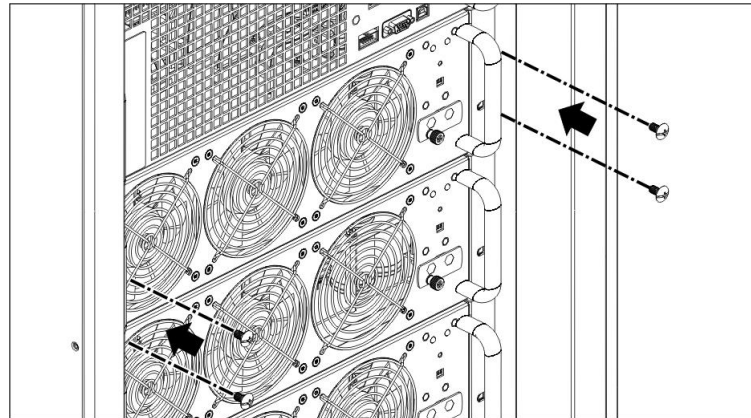


(2.) Place the ready switch on the front panel of the module to the “” position (i.e., in unready state).

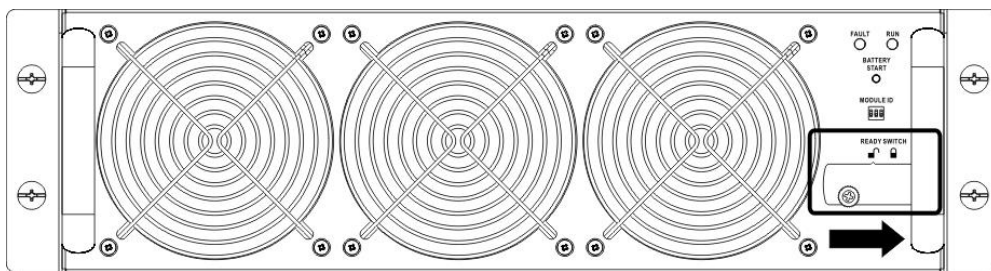
(3.) Insert the Power Module into an unoccupied slot by two persons.



- (4.) Secure the Power Module to the cabinet by fixing the screws at the front panel of the Power Module.



- (5.) Move the ready switch to the "🔒" position (i.e., in ready state).

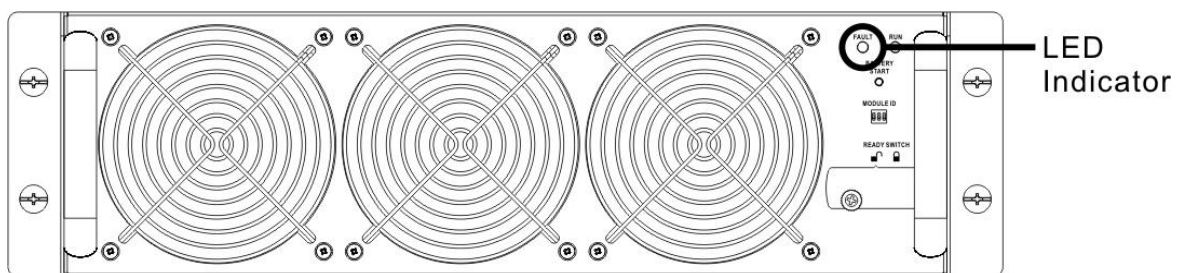


2.12.2 Remove the Power Module

⚠ Warning

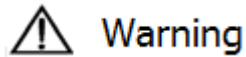
- Before removing any Power Module, make sure the remaining Power Modules can support the critical loads.
- At least one Power Module MUST stay in the UPS cabinet except the UPS system is operating in Maintenance Bypass Mode.

- (1.) Turn the ready switch to the "🔒" position.
 (2.) The Power Module FAULT LED (RED) indicator is lit to indicate the Power Module output is off and disconnected from UPS system.



- (3.) Use a screwdriver to remove the four screws from fixing holes.
 (4.) Two people pull out together and remove the Power Module from its slot.

2.13 Battery Module Installation

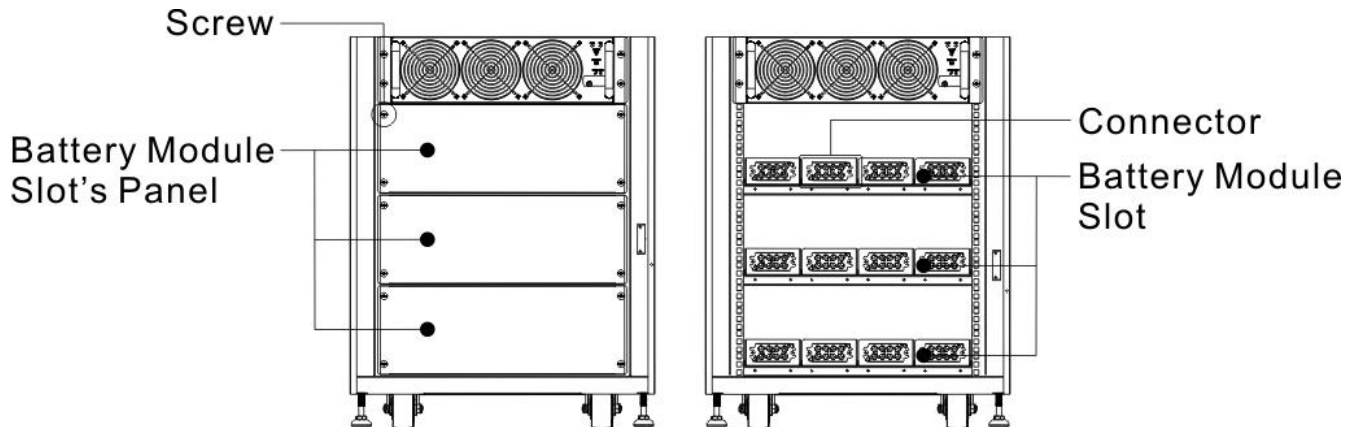


Warning

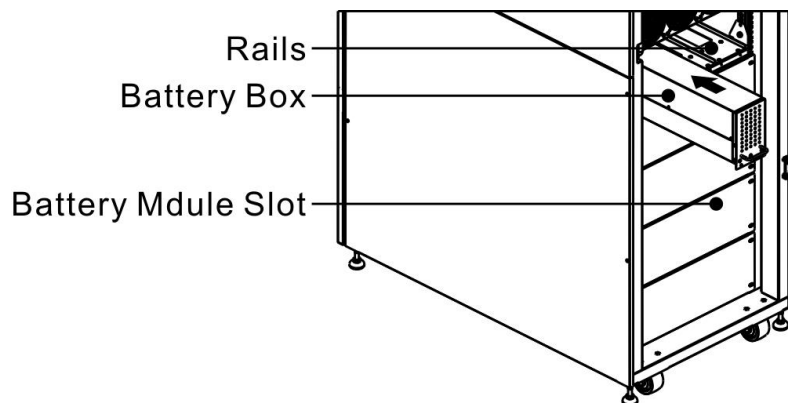
- The weight of Battery Module is heavy so at least two persons are required for handling.
- Before performing the Battery Module installation/ replacement, make sure the Battery Breaker is in the **OFF** position.

2.13.1 Insert the Battery Module (Only Standard Series Cabinet)

(1.) Open the UPS's front door and remove the panel of battery module slot.

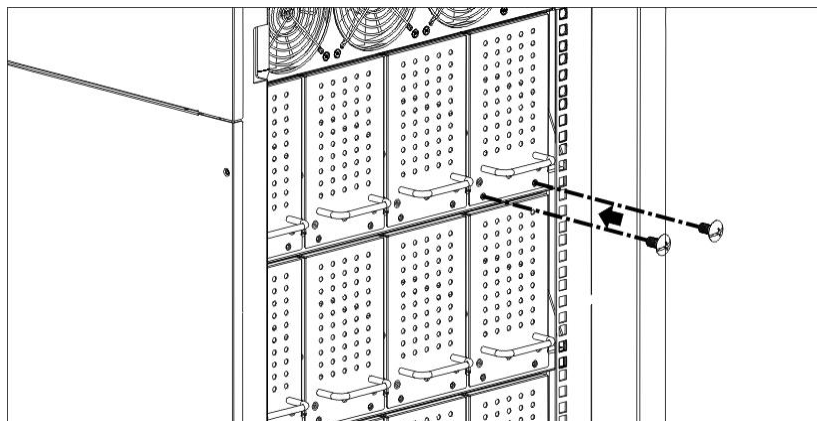


(2.) There are 4 rails for inserting the Battery Modules in the same layer. Four Battery Modules **MUST** be installed to form a set of Battery.



(3.) Regarding the maximum load of power modules, please refer to section 2.10.2 to install the required Battery Modules.

(4.) Secure the Battery Module to the cabinet by fixing the screws of the Battery Module.



3. Operation Mode and UPS Operation

3.1 Block diagram of UPS

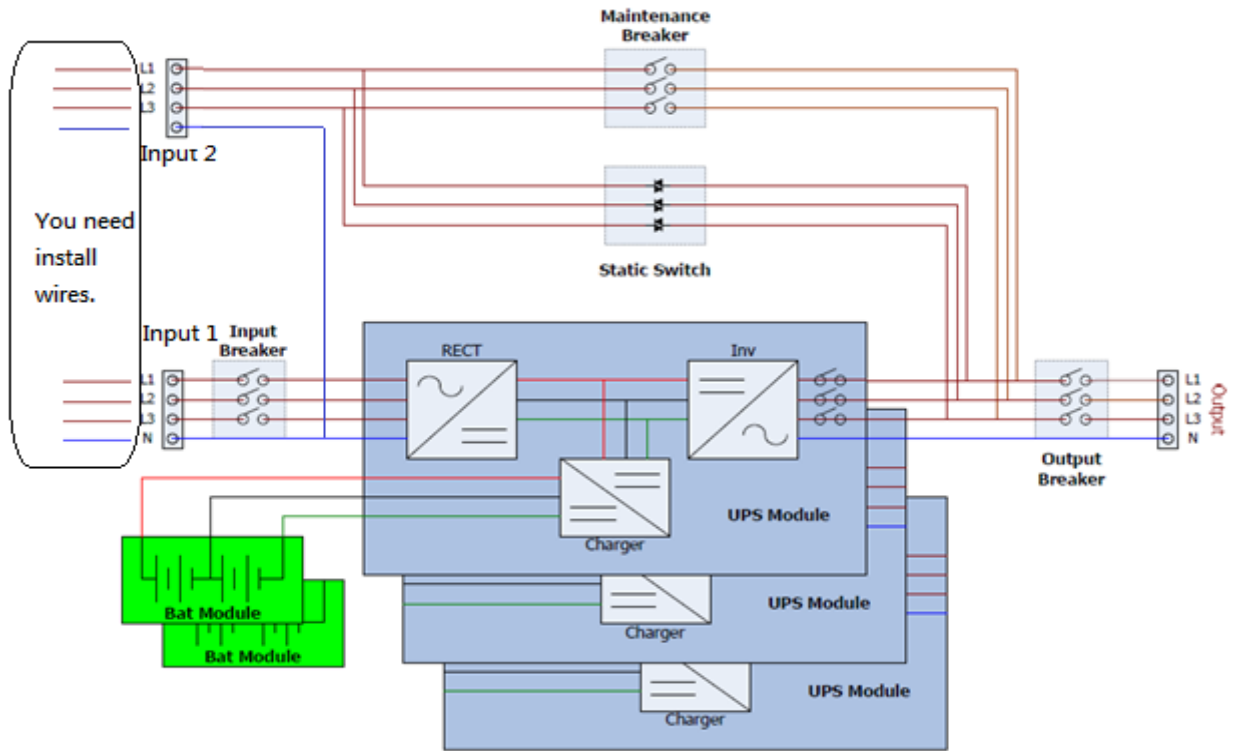


Figure 3-1: Wiring diagram for dual inputs

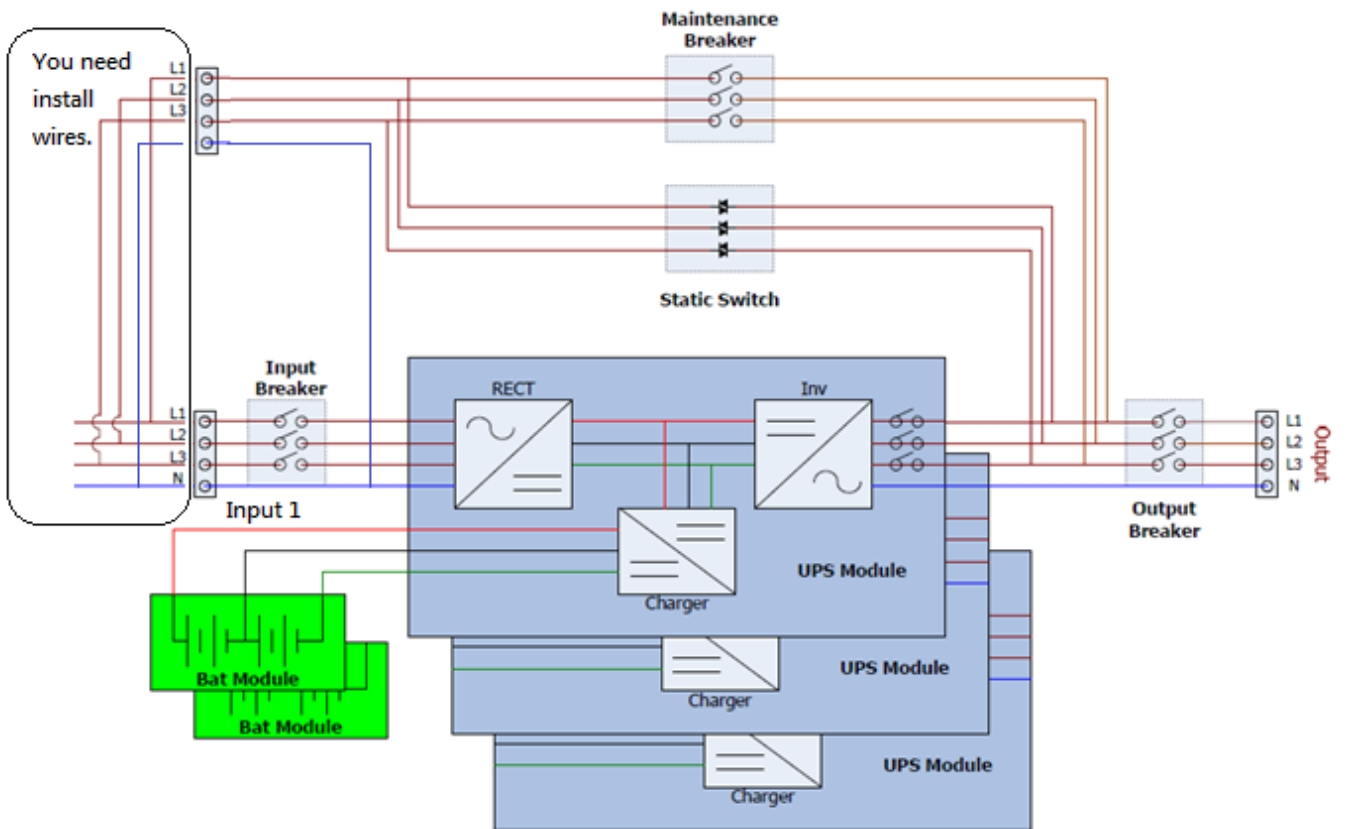


Figure 3-2: Wiring diagram for single input

3.2 Operation Mode

This modular UPS is a three-phase, four wire on-line, double-conversion and reverse-transfer UPS that permits operation in the following modes:

- Standby Mode
- Line Mode
- Battery Mode
- Bypass Mode
- ECO Mode
- Shutdown Mode
- Maintenance Bypass Mode (manual bypass)

3.2.1 Standby Mode

Upon connecting to utility input power, the UPS is in Standby mode before UPS is turned on (if BYPASS enable setting is Disabled), and charger function will be active when the battery is present. The load is not powered under this mode.

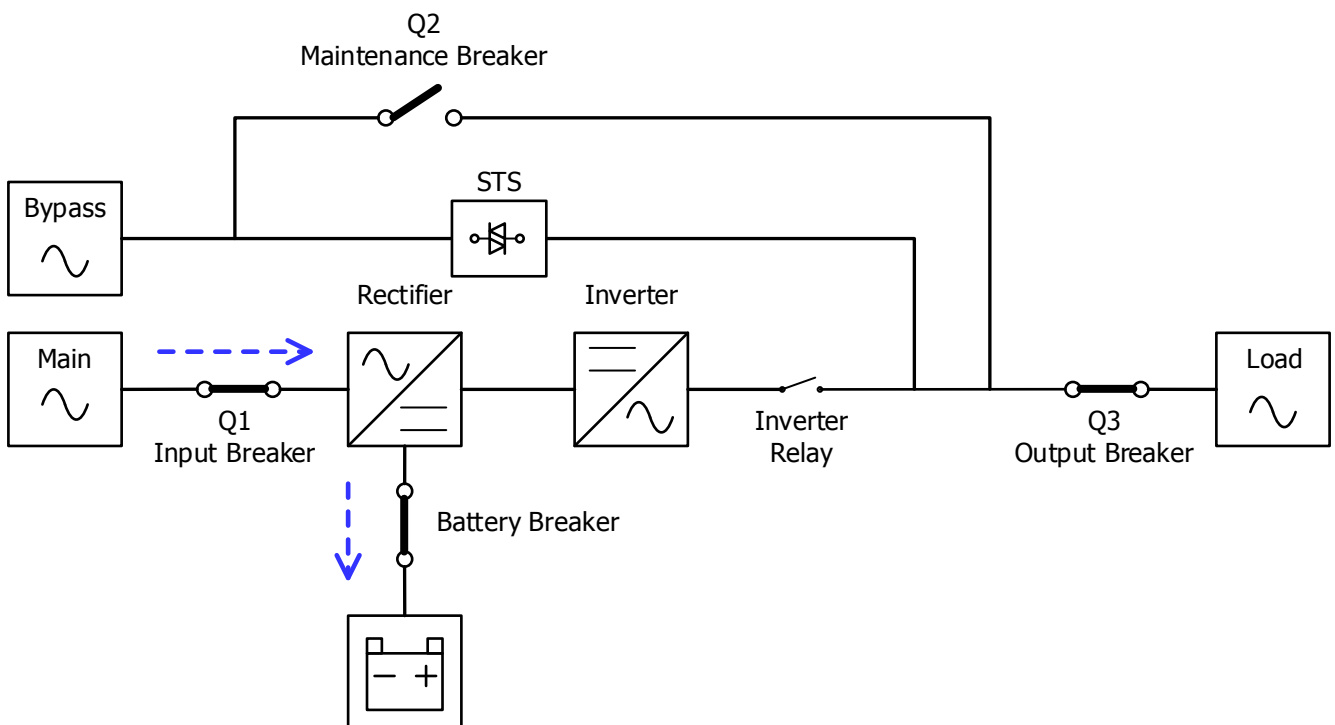


Figure 3-3 : Standby Mode Diagram

3.2.2 Line Mode

In Line Mode, the rectifier derives power from the utility power and supplies DC power to the inverter and the charger charges the battery. The inverter filters the DC power and converts it into pure and stable AC power to the load.

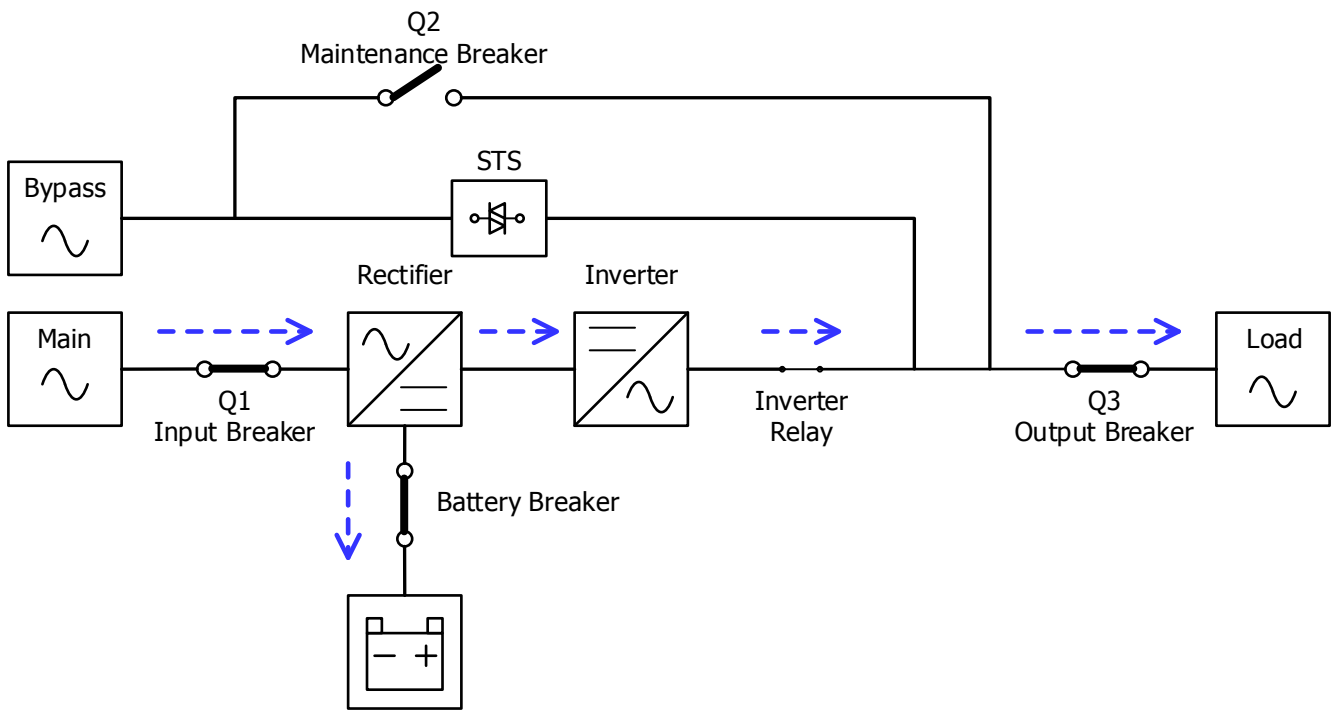


Figure 3-4 : Line Mode Diagram

3.2.3 Battery Mode

The UPS automatically transfers to Battery mode if the utility power fails. There is no interruption in power to the critical load upon failure.

In battery mode, the rectifier derives power from the battery and supplies DC power to the inverter. The inverter filters the DC power and converts it into pure and stable AC power to the load.

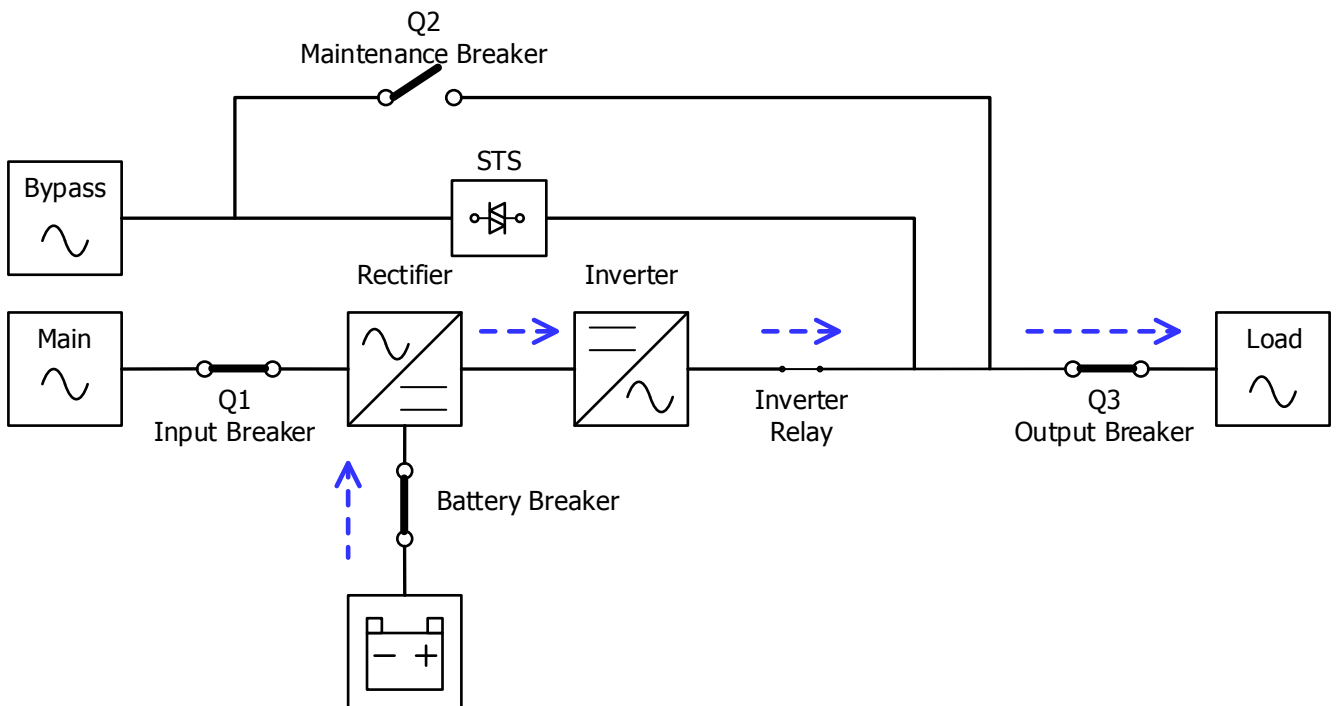


Figure 3-5 : Battery Mode Diagram

3.2.4 Bypass Mode

Upon connecting to utility input power, the UPS is in Bypass mode before UPS is turned on (if BYPASS enable setting is Enabled), and charger function will be active when battery is present.

After UPS has been turned on, if the UPS encounters abnormal situations (over-temperature, overload ..., etc.), the static transfer switch will perform as a transference of the load from the

inverter to the bypass source with no interruption. If the transference is caused by a recoverable reason, the UPS will turn back to line mode when abnormal situation is solved.

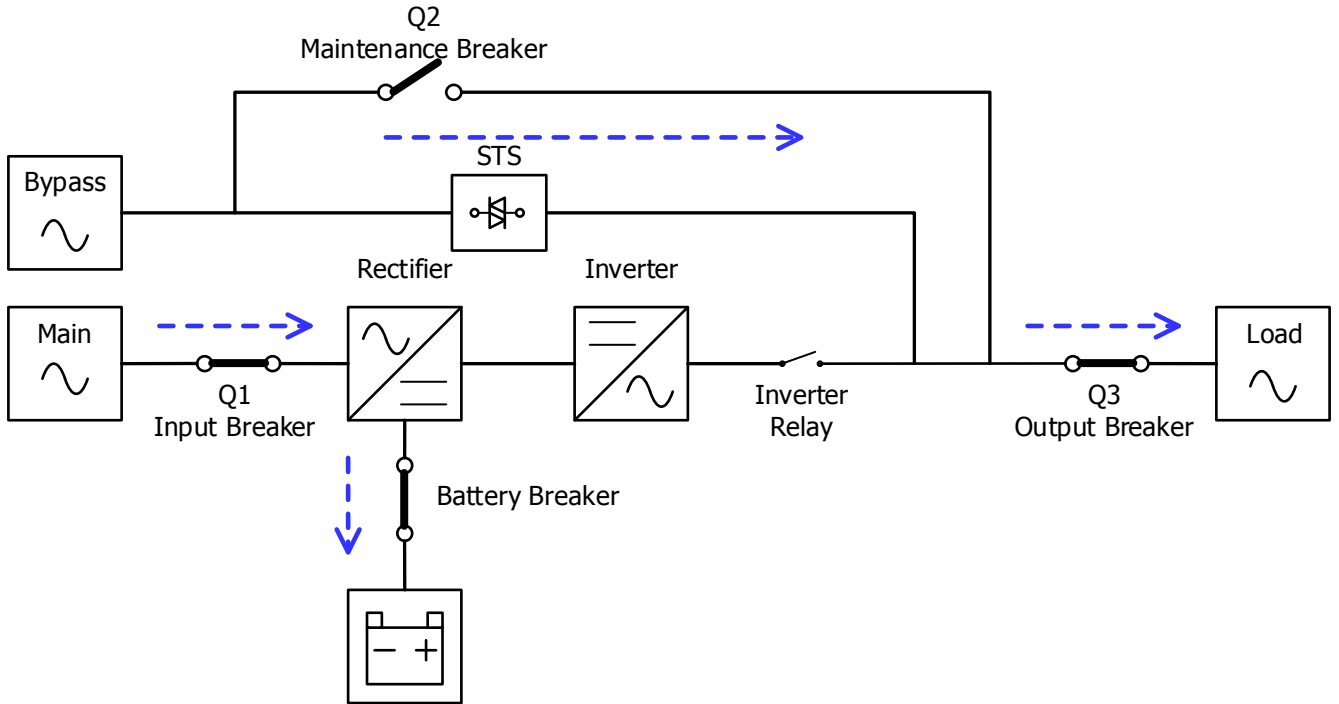


Figure 3-6 : Bypass Mode Diagram

3.2.5 ECO Mode

The ECO Mode is enabled through the setting menu of LCD panel. In ECO mode, the load is powered by bypass when the bypass voltage and frequency are within the acceptable ranges. If the bypass is out of range, the UPS will transfer the power source of load from bypass to inverter. In order to shorten the transfer time, the rectifier and inverter are working when the UPS is in ECO mode.

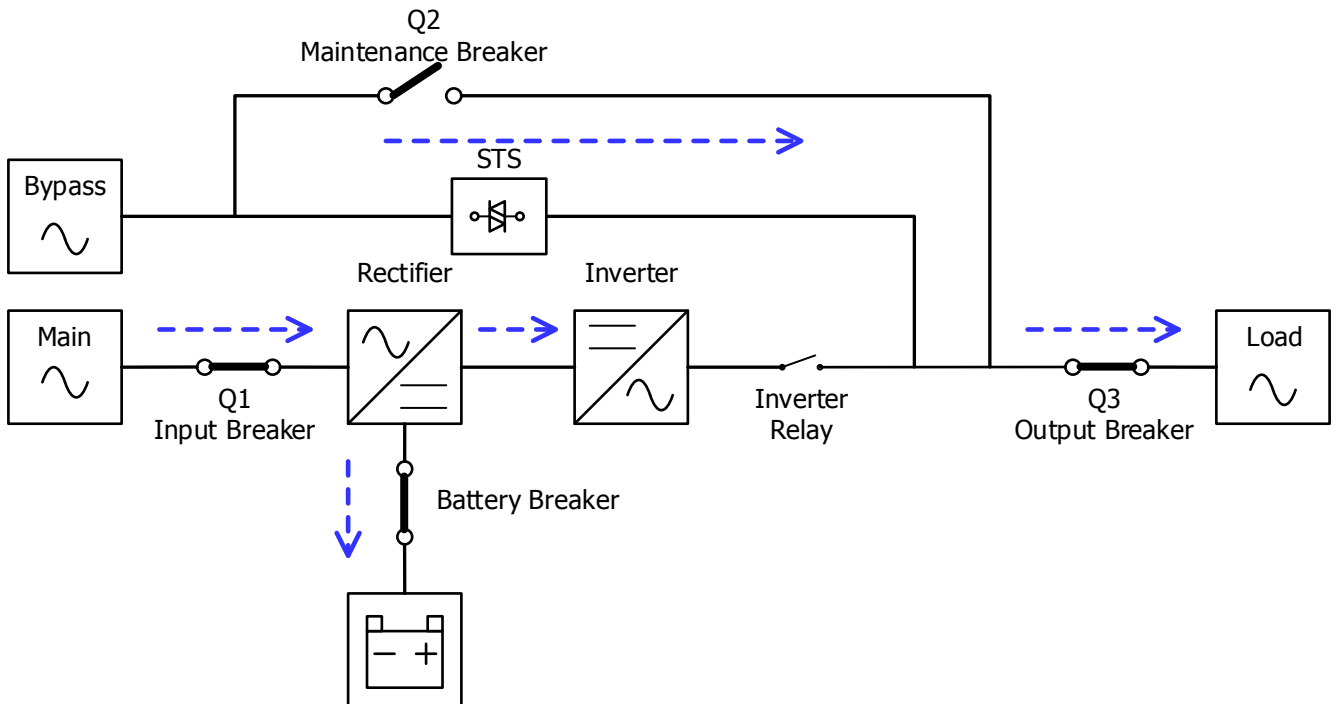


Figure 3-7 : ECO Mode Diagram

3.2.6 Shutdown Mode

When the UPS is in the off state and the utility power source is absent, the UPS will enter into shutdown mode.

Or when the UPS has discharged the battery to the cut-off level, the UPS will enter into shutdown mode as well. When the UPS enters this mode, it is going to shut off the control power of UPS. The rectifier, charger and inverter are all in off state.

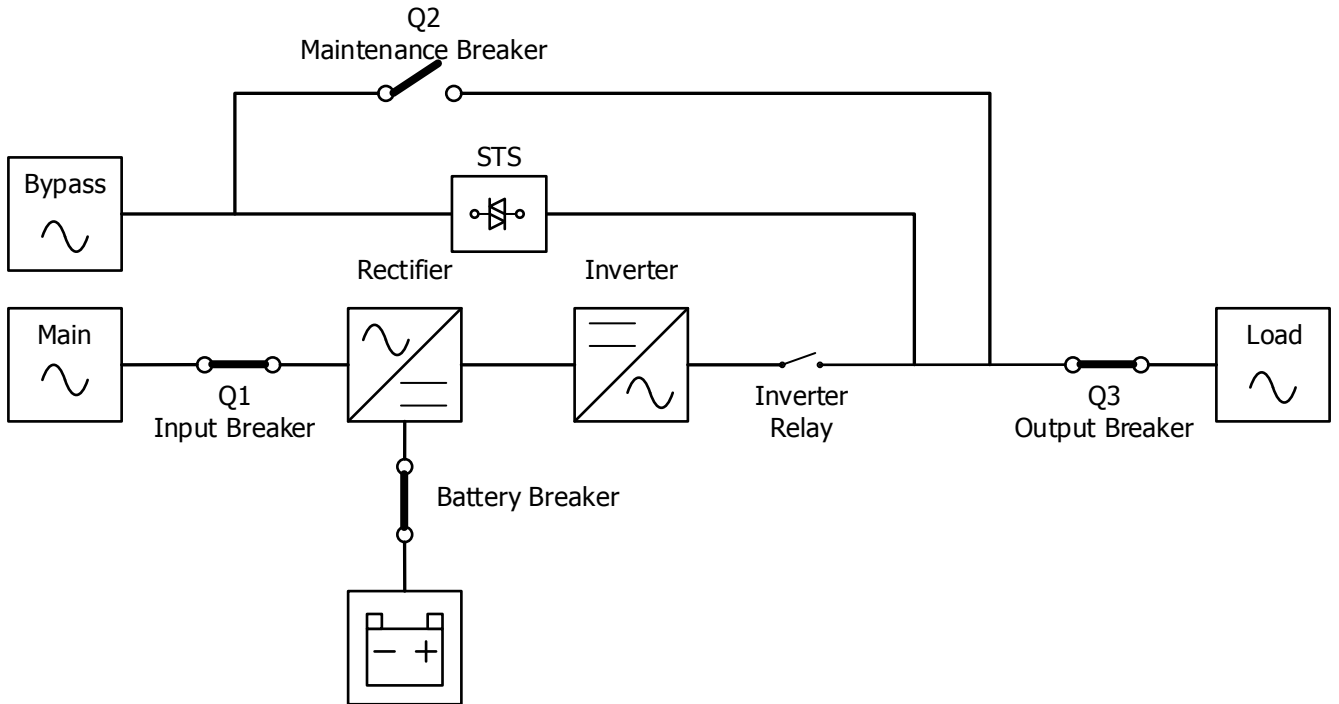


Figure 3-8 : Shutdown Mode Diagram

3.2.7 Maintenance bypass Mode

A manual bypass switch is available to ensure continuity of supply to the critical load when the UPS becomes unavailable e.g. during a maintenance procedure. Before entering the maintenance bypass mode, make sure the bypass power source is normal.

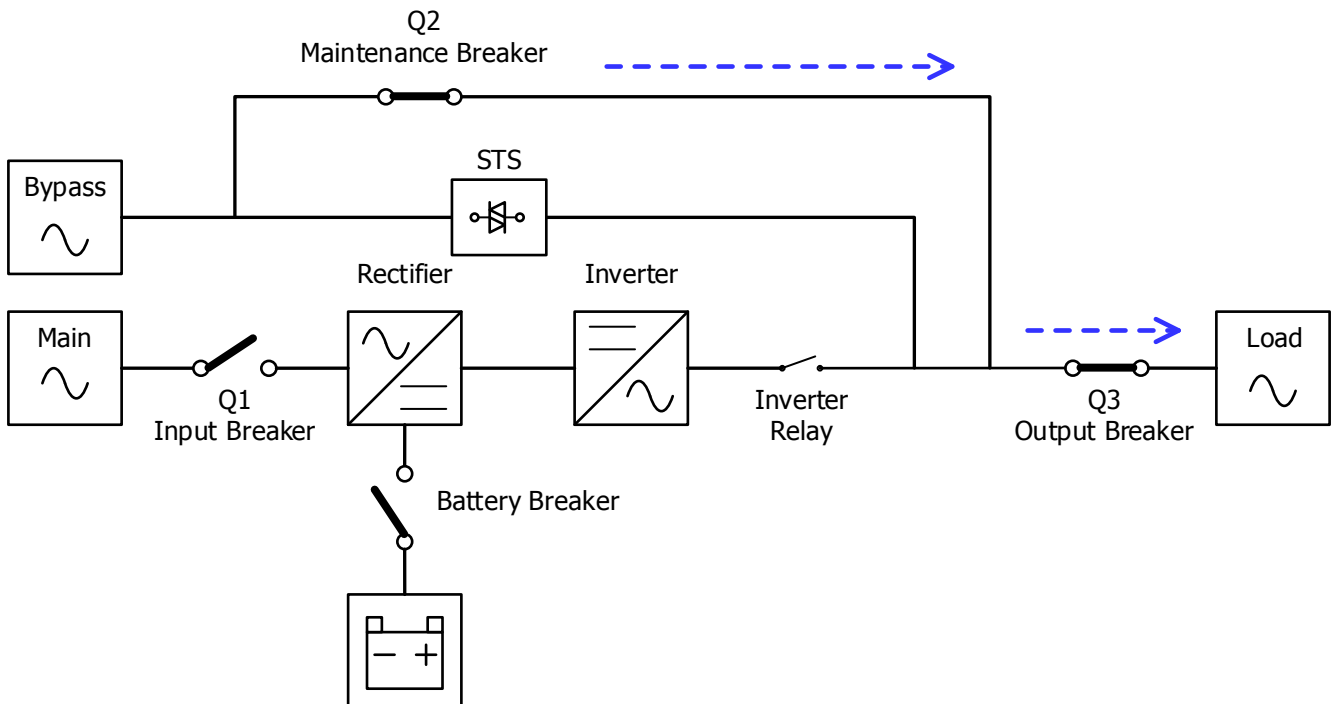


Figure 3-9 : Maintenance Bypass Mode Diagram

3.3 UPS Operation

⚠ Warning	
<ul style="list-style-type: none"> ● Do not start the UPS until the installation is completed. ● Make sure the wiring is correct and the power cables are fixed firmly. ● Make sure the Power Modules' address have been configured. Refer to section 2.9.2 Power Module ● Make sure the ready switch on the Power Module has been moved to the "Locked" position. ● Make sure all the breakers are switch OFF. 	

3.3.1 AC Startup

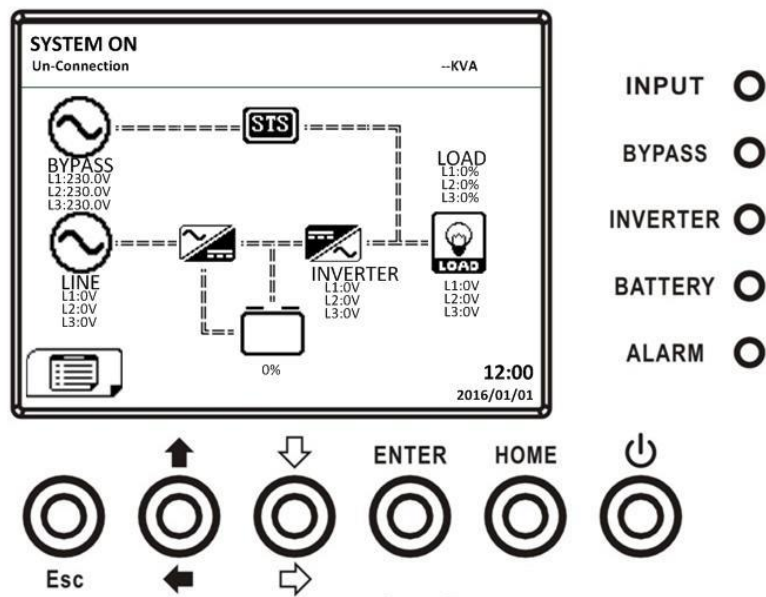
Ensure to follow this procedure when turning on the UPS from a fully powered-down condition.

The operating procedures are as follows:

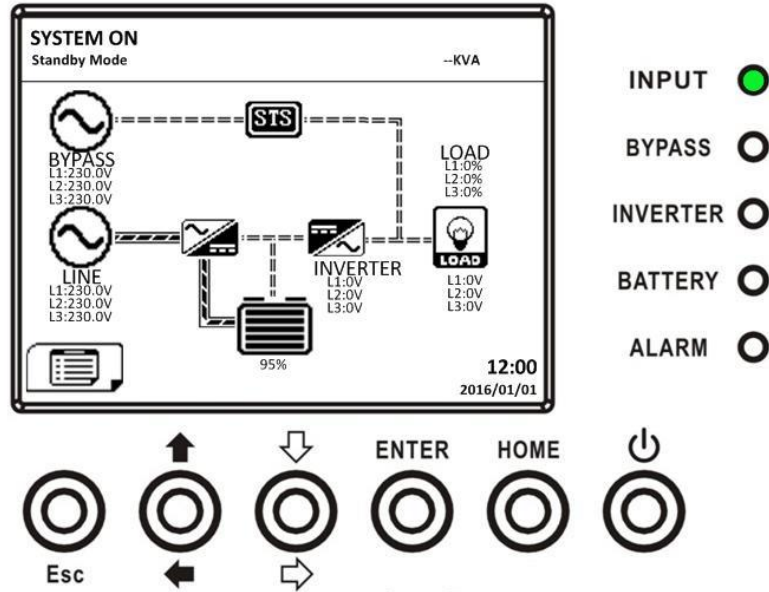
Step 1: Refer to "Chapter 2 Installation" to connect the power cables and install the Power Modules and the battery required for the UPS system.

Step 2: Switch ON the battery breaker.

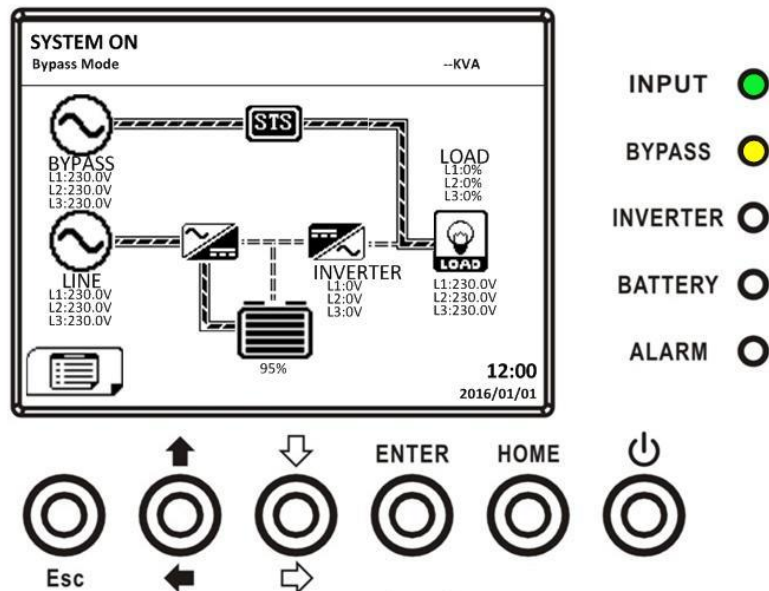
Step 3: Switch ON the external power switch to power the UPS. The STS module starts running and the LCD panel is displayed.



Step 4: Switch ON the input breaker (Q1). The UPS will enter into Standby Mode, if the setting of Bypass mode is disabled.

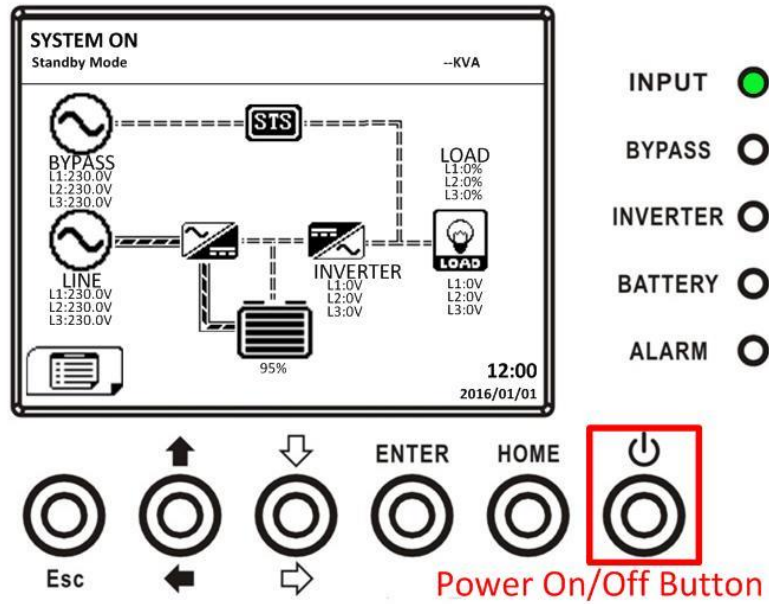


Or the UPS will enter into Bypass Mode, if the setting of Bypass mode is enabled.

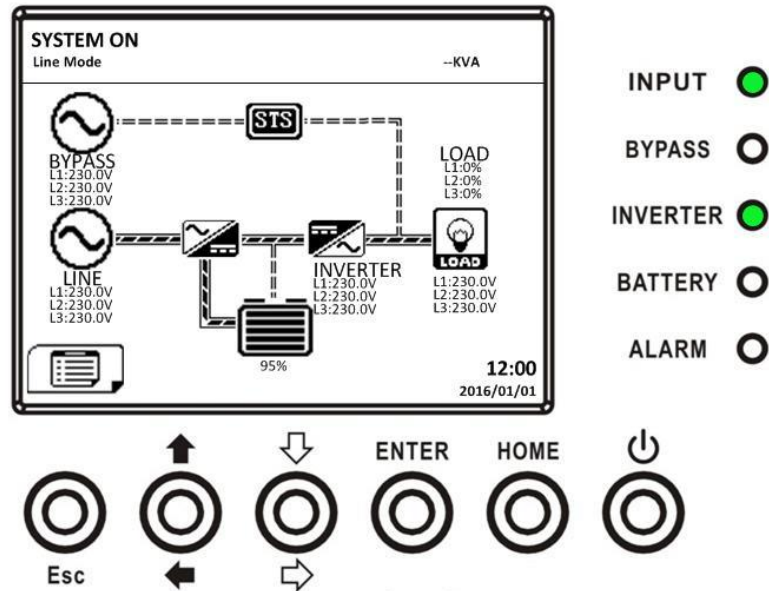


Step 5: Make sure there is no warning or fault event happening. If yes, please refer to Chapter 6 Troubleshooting to solve it.

Step 6: Press Power ON/OFF button for two seconds to enter into Line Mode as shown below.



After turning on, UPS will do self-test and start Inverter up. UPS will be transferred to Line mode when all power modules are ready.

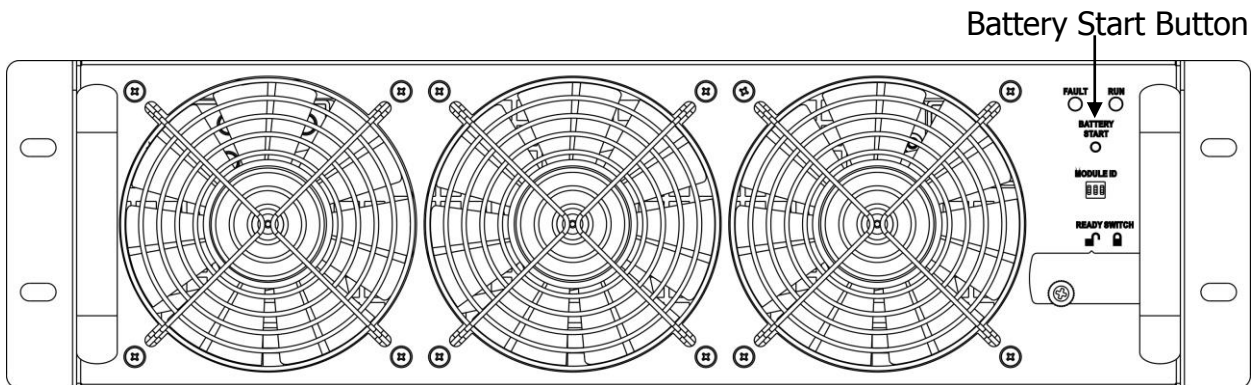


Step 7: Switch ON the output breaker (Q3). AC startup procedure is complete.

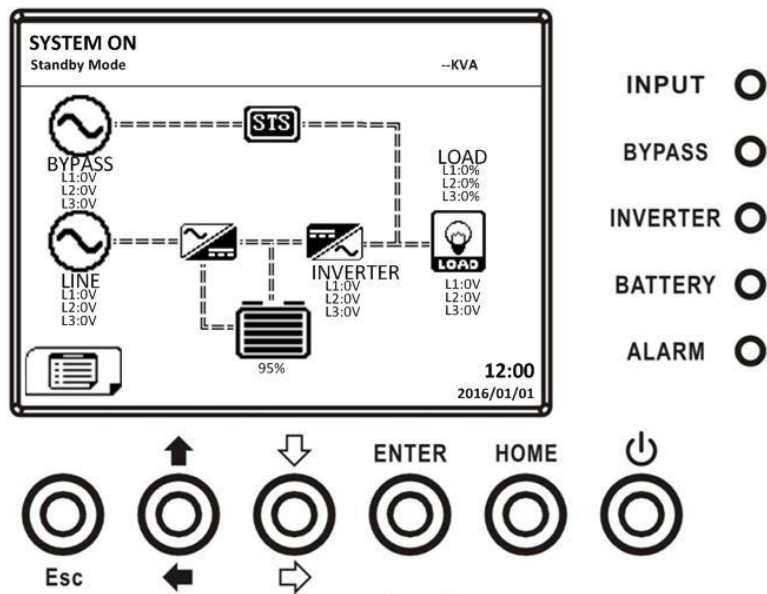
3.3.2 Cold Start Startup

Step 1: Switch ON the battery Breaker.

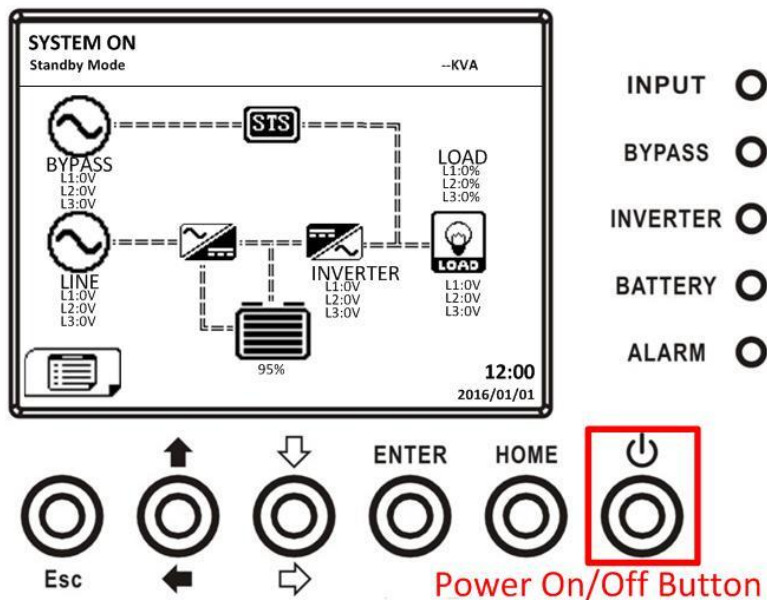
Step 2: Press the "Battery Start" button on any one of Power Modules to start up the control power of all Power modules and STS module as shown below.



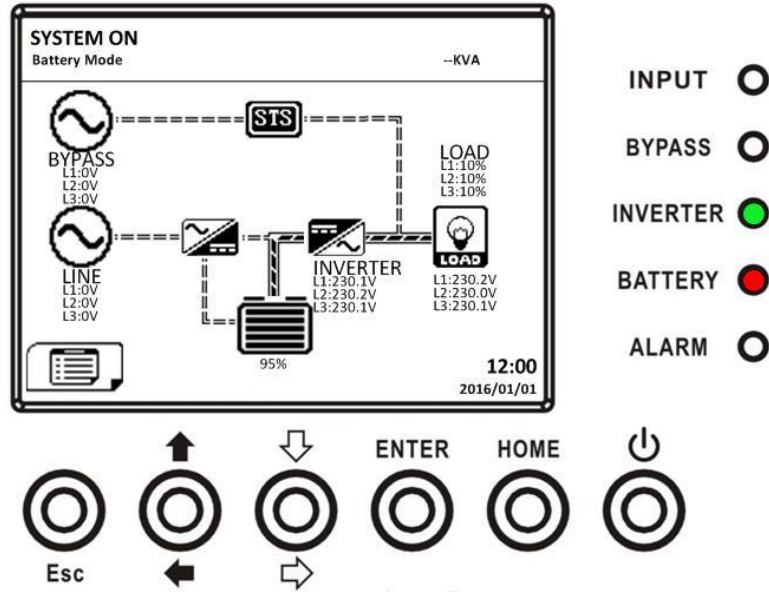
Step 3: After pressing the "Battery Start" button, UPS will enter into Standby mode. Refer to the diagram below for LCD display.



Step 4: Before UPS enters into shutdown mode, please press "Power On/Off" button for 2 second immediately as shown in the diagram below.



Step 5: Then, UPS will enter Battery Mode as shown in the diagram below.



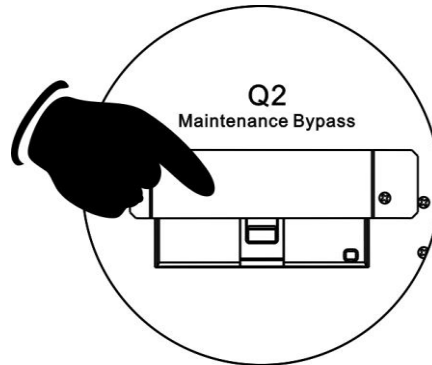
Step 6: Switch ON the output breaker (Q3). Cold start startup procedure is complete.

3.3.3 Maintenance Bypass Operation

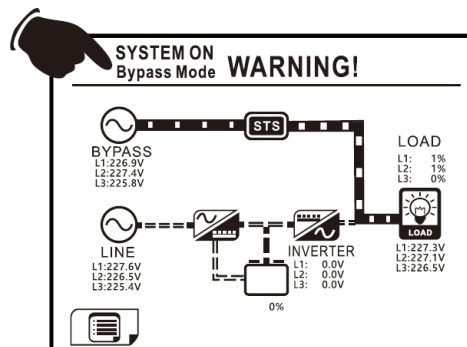
Follow the instruction to transfer to Maintenance Bypass and UPS protection as below.

3.3.3.1 Transfer to maintenance bypass

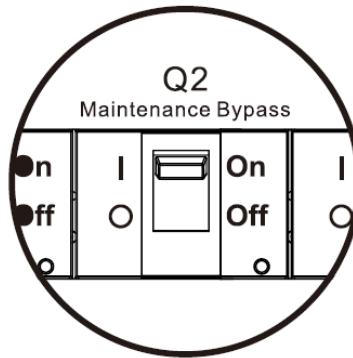
Step 1: Remove the mechanical lock plate of Maintenance Bypass Breaker.



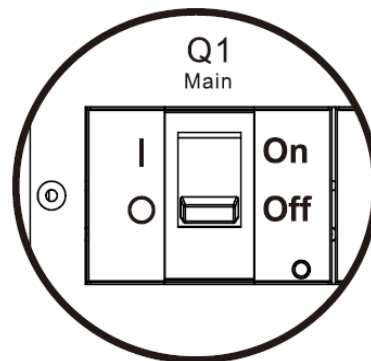
Step 2: Make sure the UPS operates in Bypass mode as shown below.



Step 3: Switch ON the Maintenance Bypass Breaker as shown below.



Step 4: Switch OFF the Main Breaker (Q1) as shown below.

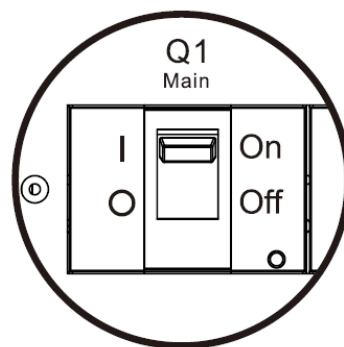


Step 5: It is possible to change the STS module, Power Module and Battery Module.

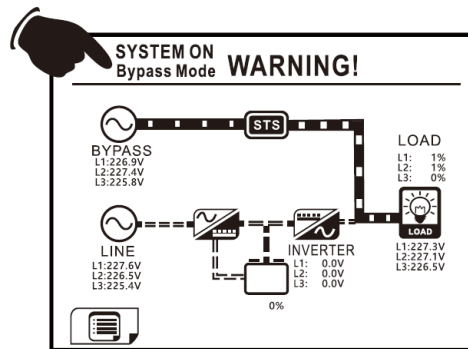
3.3.3.2 Transfer to UPS Protection

Step 1: Make sure the maintenance is complete. The Power Modules and STS module have been installed well.

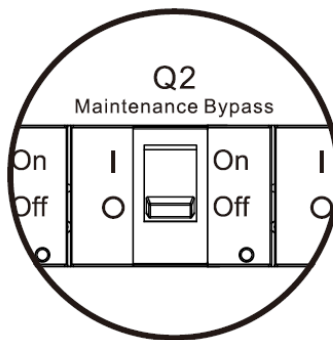
Step 2: Switch ON the Main Breaker (Q1) as shown below.



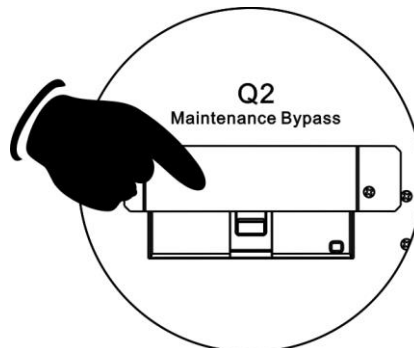
Step 3: Please enter LCD SETUP MENU and choose "SYSTEM" to ensure that the "Bypass mode" is enabled. If the "Bypass mode" is disabled, you have to set it enabled. Then, exit the SETUP menu and check if the UPS operates in bypass mode.



Step 4: Turn off Maintenance Bypass Breaker as shown below.



Step 5: Lock back the mechanical lock plate as shown below.



3.3.4 Turn off Operation

3.3.4.1 Bypass Mode/ Standby Mode Turn Off Operation

When the UPS neither is turned on nor turned off, the UPS operates in the Standby Mode or Bypass Mode. It depends on the "Bypass Mode" Setting.

The LCD diagrams are shown below.

Bypass Mode Setting is Disabled	Bypass Mode Setting is Enabled
<p>INPUT <input checked="" type="radio"/></p> <p>BYPASS <input type="radio"/></p> <p>INVERTER <input type="radio"/></p> <p>BATTERY <input type="radio"/></p> <p>ALARM <input type="radio"/></p>	<p>INPUT <input checked="" type="radio"/></p> <p>BYPASS <input checked="" type="radio"/></p> <p>INVERTER <input type="radio"/></p> <p>BATTERY <input type="radio"/></p> <p>ALARM <input type="radio"/></p>
<p>Esc ← ↑ ↓ → ENTER HOME ⏻</p>	<p>Esc ← ↑ ↓ → ENTER HOME ⏻</p>

Step 1: Switch OFF the Main Breaker. The LCD diagrams are shown below.

Bypass Mode Setting is Disabled	
<p>INPUT <input type="radio"/></p> <p>BYPASS <input type="radio"/></p> <p>INVERTER <input type="radio"/></p> <p>BATTERY <input type="radio"/></p> <p>ALARM <input type="radio"/></p>	<p>INPUT <input type="radio"/></p> <p>BYPASS <input type="radio"/></p> <p>INVERTER <input type="radio"/></p> <p>BATTERY <input type="radio"/></p> <p>ALARM <input type="radio"/></p>
<p>Esc ← ↑ ↓ → ENTER HOME ⏻</p>	<p>Esc ← ↑ ↓ → ENTER HOME ⏻</p>

UPS enters Shutdown Mode.

It is normal the Un-Connection is shown when Power Modules have shut off their control power.

Bypass Mode Setting is Enabled	
	<p>INPUT <input type="radio"/></p> <p>BYPASS <input checked="" type="radio"/></p> <p>INVERTER <input type="radio"/></p> <p>BATTERY <input type="radio"/></p> <p>ALARM <input type="radio"/></p>
<p>Esc ← ↑ ↓ → ENTER HOME ⏻</p>	

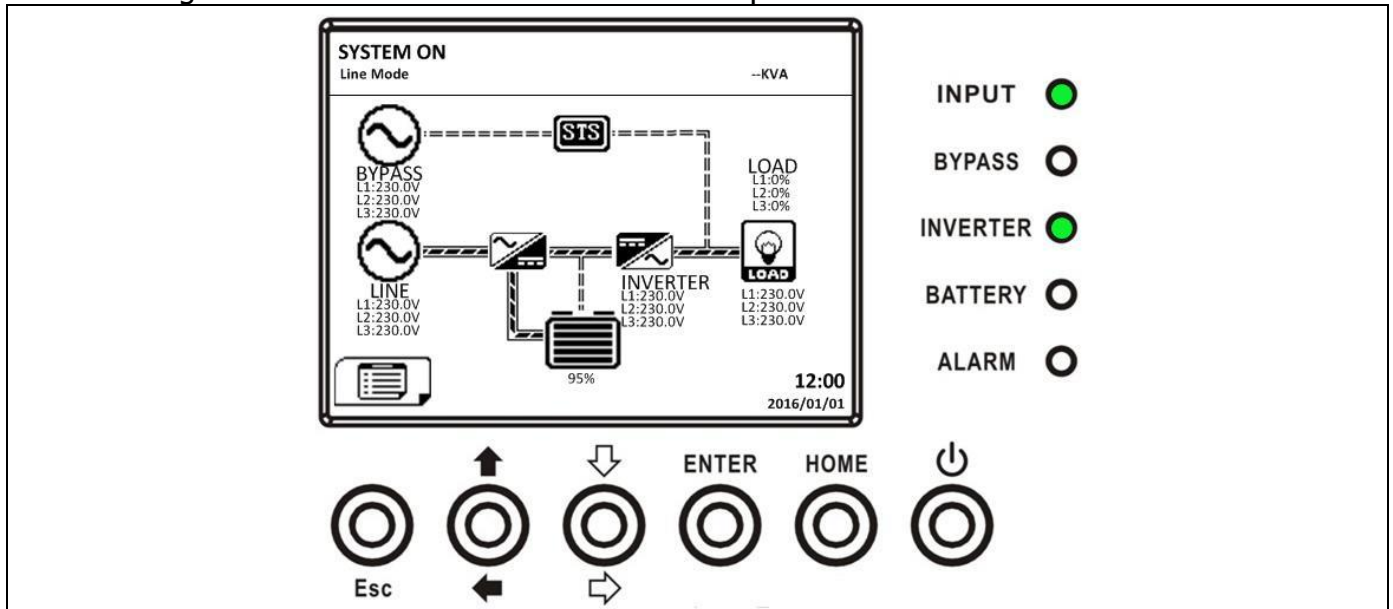
UPS stay in Bypass mode and No AC input is indicated.

Step 2: Switch OFF the external power switch to disconnect the AC power to the UPS. Wait until the LCD is OFF.

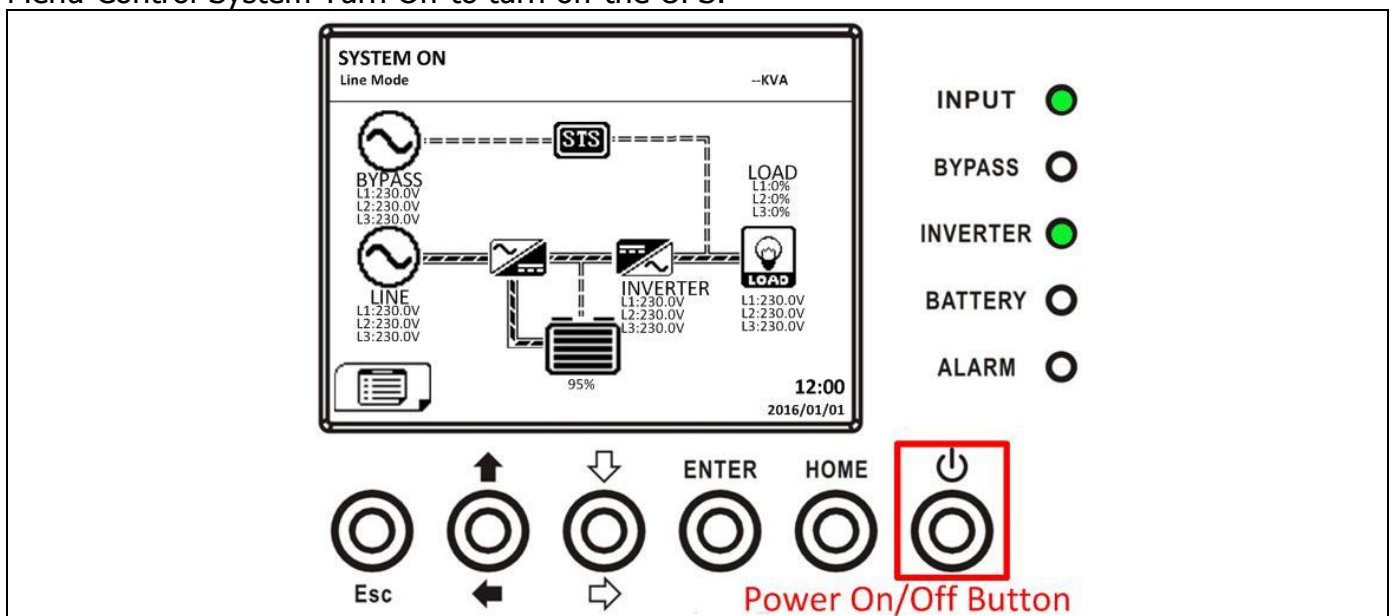
Step 3: Switch OFF the battery breaker, if the UPS will disconnect the AC power for a long time.

3.3.4.2 Line Mode Turn Off Operation

The LCD diagrams are shown below when the UPS operates in the Line Mode.



Step 1: Press "Power On/Off" button for 2 second to turn off the UPS. Or use the Menu-Control-System Turn Off to turn off the UPS.

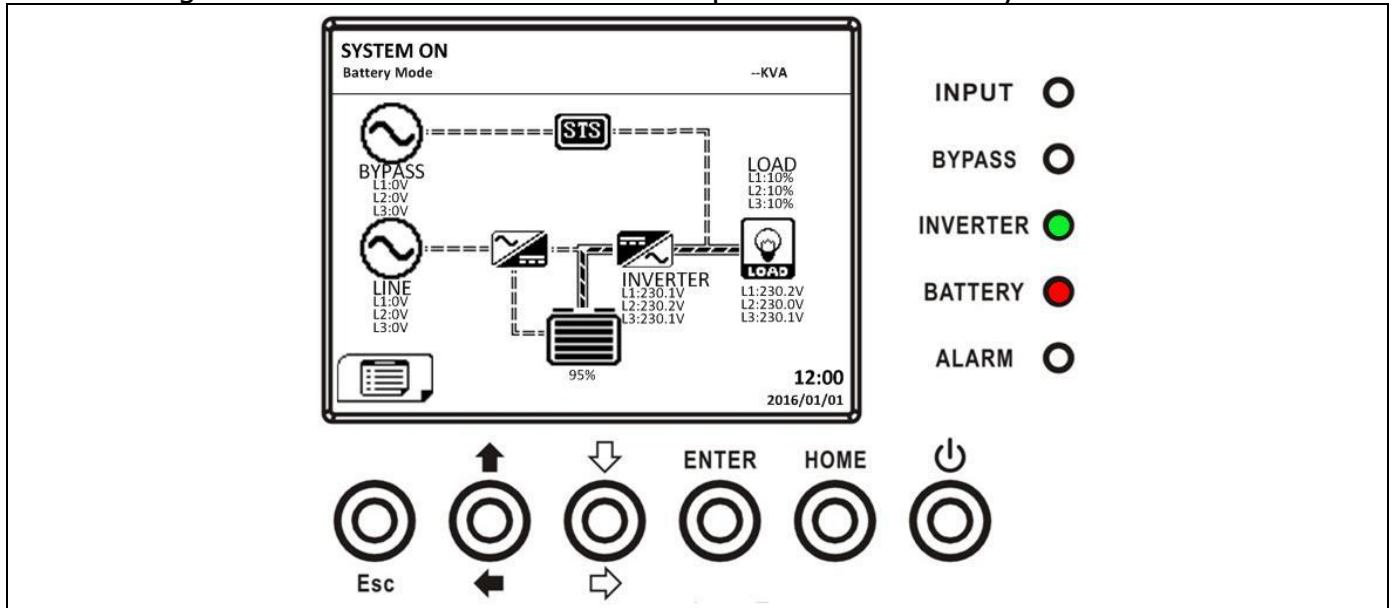


After turning off, the UPS will transfer to Standby Mode or Bypass Mode. It depends on the "Bypass Mode" Setting.

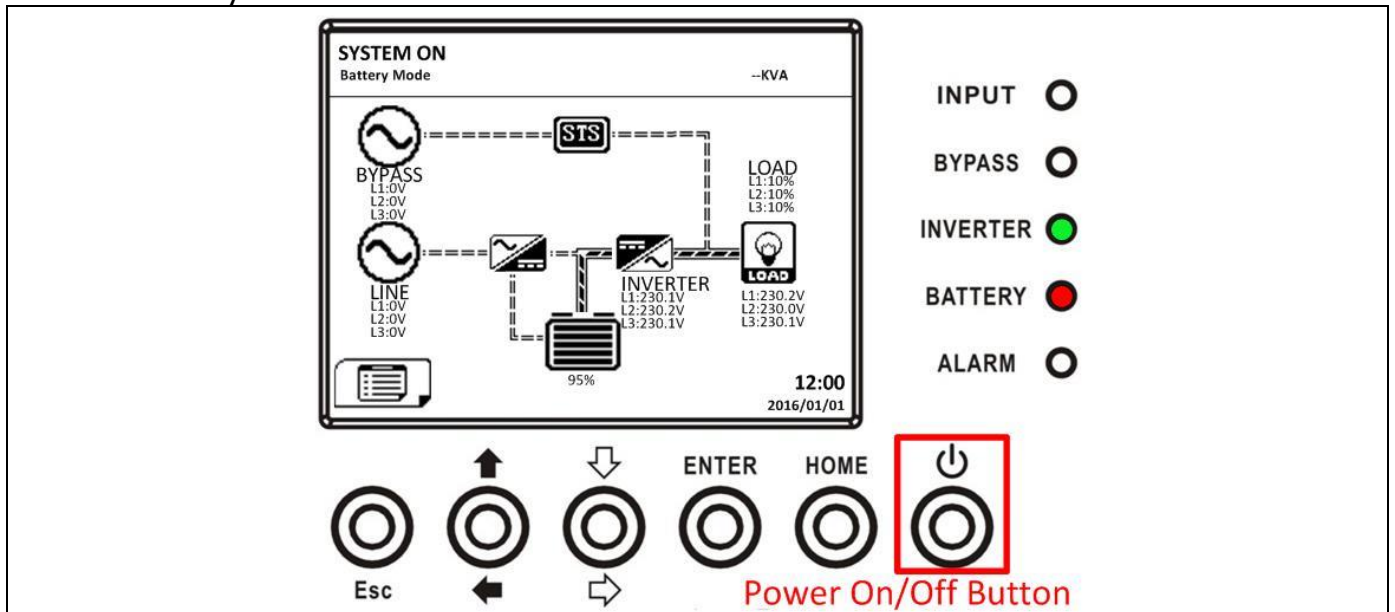
Next, follow the **Bypass Mode/ Standby Mode Turn Off Operation** procedure.

3.3.4.3 Battery Mode Turn Off Operation

The LCD diagram is shown below when the UPS operates in the Battery Mode.



Step 1: Press "Power On/Off" button for 2 second to turn off the UPS. Or use the Menu-Control-System Turn Off to turn off the UPS.



After turning off, the UPS will transfer to Standby Mode.

Next, follow the **Bypass Mode/ Standby Mode Turn Off Operation** procedure.

4. Control Panel and Display Description

4.1 Introduction

This control panel and display description are located on the front door of the UPS. It is the USER control, monitoring of all measured parameters, UPS and battery status and alarms. The control panel and display description are divided into four functional areas: (1) LCD display, (2) LED indications, (3) Control keys, (4) Audio Alarm, as shown in Figure 4-1.

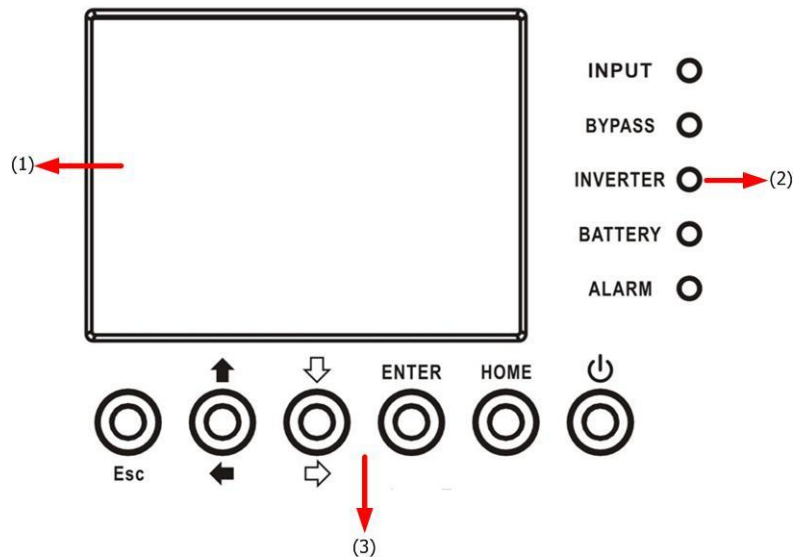


Figure 4-1 Control panel

- (1) LCD display: Graphic display and all measured parameters.
- (2) LED indications. Refer to **Table 4-1**.
- (3) Control keys. Refer to **Table 4-2**.

Table 4-1: LED indications

LED	Color	Status	Definition
INPUT	Green	On	Input source is normal.
		Flashing	Input source is abnormal.
		Off	No input source
BYPASS	Yellow	On	Load on Bypass.
		Flashing	Input source is abnormal.
		Off	Bypass not operating.
INVERTER	Green	On	Load on inverters.
		Off	Inverters not operating.
BATTERY	Red	On	Load on Battery.
		Flashing	Low battery
		Off	Battery converter is normal and battery is charging.
ALARM	Red	On	UPS fault.
		Flashing	UPS alarm.
		Off	Normal.

Table 4-2: Function Keys

Control Key	Description
Esc	<ul style="list-style-type: none"> When screen is in Main screen, it will enter into main menu by pressing ESC key. Return to previous screen, when screen is not in Main screen. Return to previous value in the same row, so you can change it. For example, when changing 4-digit password, press "Esc" to allow cursor back to previous digit.
↑ (Up) ← (Left)	Key for menu page navigation or digit modification.
↓ (Down) ⇒ (Right)	Key for menu page navigation or digit modification.
Enter	Confirmation of commands, or cursor displacement.
Home	Return to Main screen.
⏻ Power On/Off	Turn on UPS or Turn off UPS.

Table 4-3: Audible Alarm

Audio Type	Description
Power on/off	Buzzer sounds two seconds.
Battery mode	Buzzer sounds every 2 seconds.
Low battery	Buzzer sounds every half seconds.
UPS alarm	Buzzer sounds every 1 second.
UPS fault	Buzzer continuously sounds.

4.2 Screen Description

4.2.1 Start Screen

Upon starting, the UPS executes self-test. The initial screen displays and remains still in approximately 5 seconds as shown in Figure 4-2.

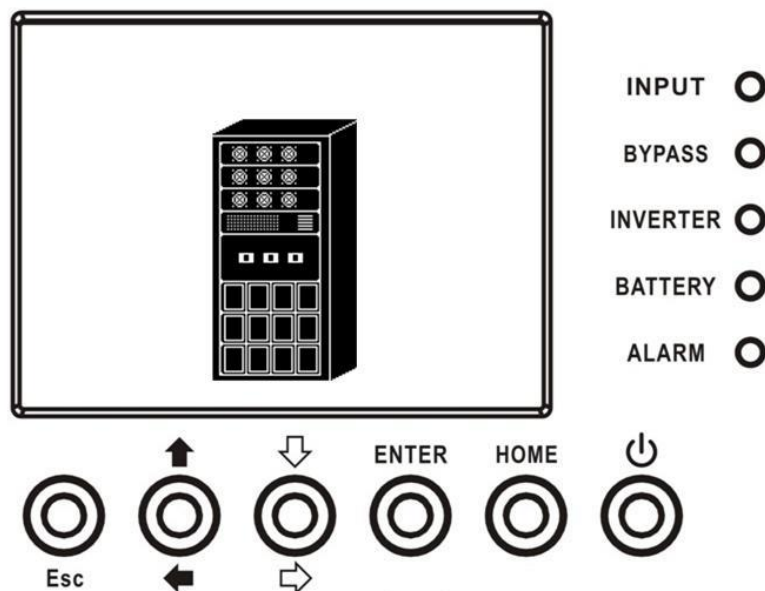


Figure 4-2 Initial screen

4.2.2 Main Screen

After initialization, the main screen will display as Figure 4-3. Main screen is divided into five parts.

- (1) UPS Mode: Current Operation Mode.
- (2) UPS Flow Chart: Current flow chart and measurement data.
- (3) Menu: Press ESC button to enter Menu screen.
- (4) UPS model name with power rating. If the power rating followed with (R) means the UPS system has redundant configuration.

(5) Date and Time.

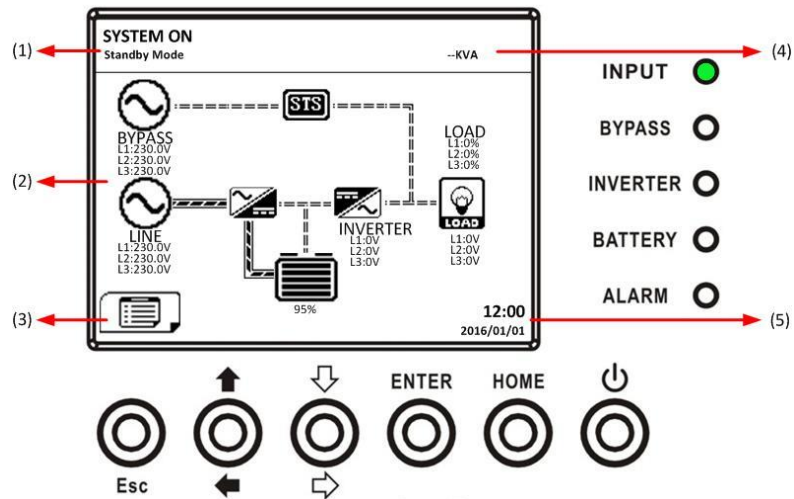


Figure 4-3 Main screen

4.2.3 MENU Screen

In the Main Screen, press ESC button to enter the **MENU** screen

Use UP and DOWN buttons to choose different menus, and Press ENTER to enter the sub screen, as shown in Figure 4-4 and 4-5.

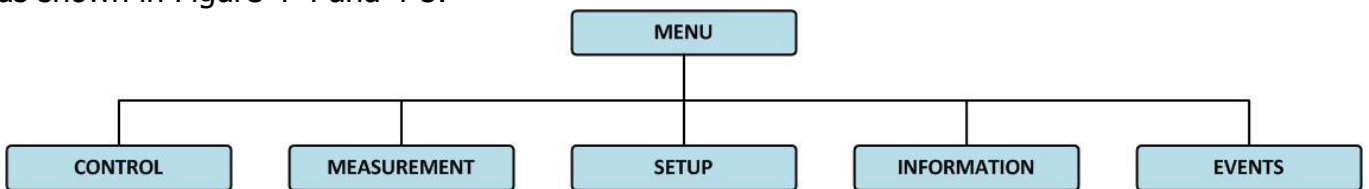


Figure 4-4 Menu tree

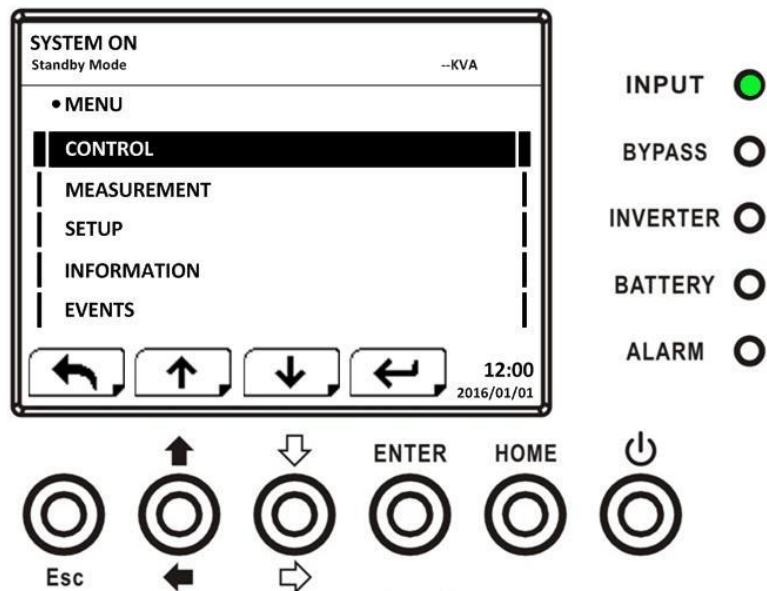


Figure 4-5 Menu screen

4.2.4 Control Screen

Use UP and DOWN buttons to choose CONTROL option, and press ENTER button to enter the submenu, as shown in Figure 4-6, 4-7 and 4-8.

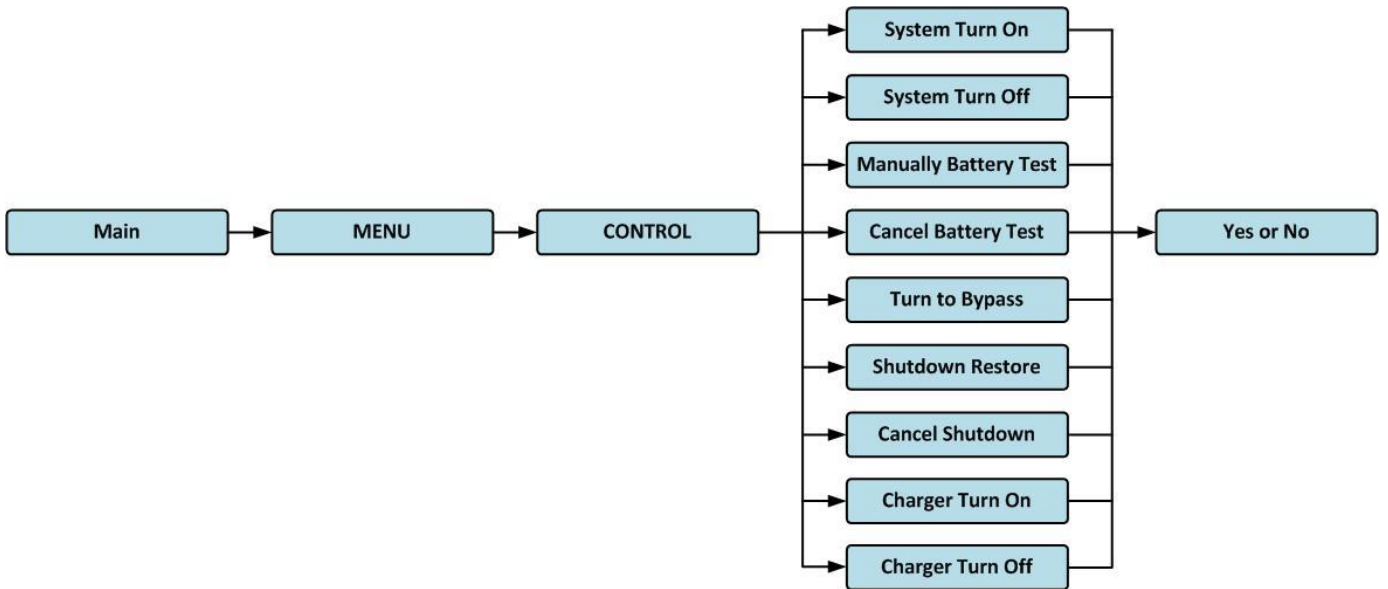


Figure 4-6 Control menu

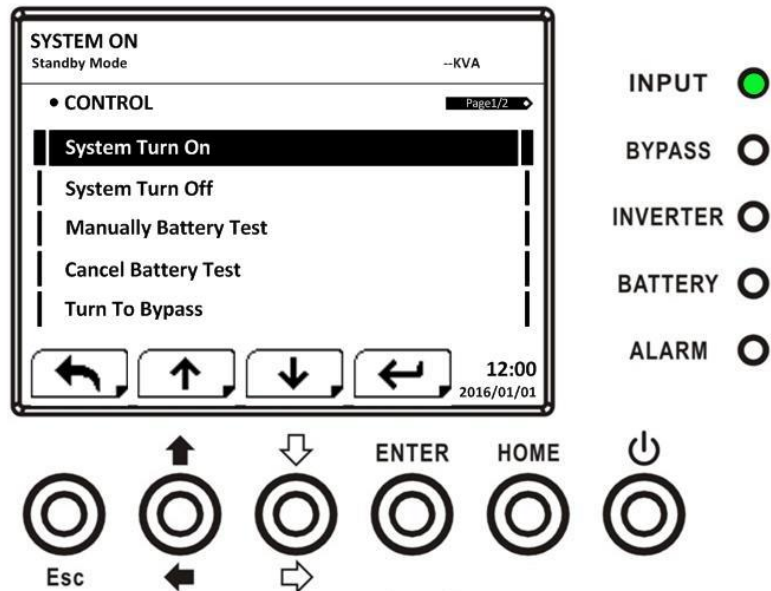


Figure 4-7 Control screen page 1

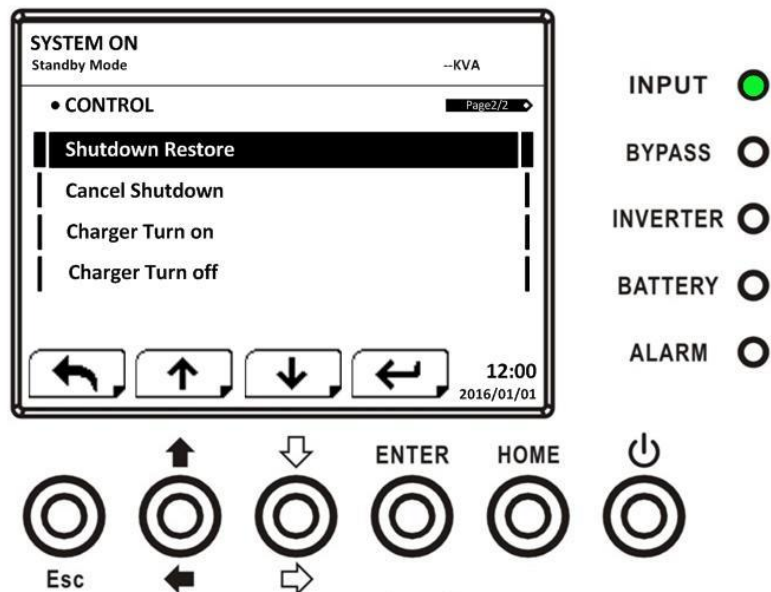


Figure 4-8 Control screen page 2

When the control option is selected by pressing ENTER button, the confirmation screen will pop up. Use LEFT and RIGHT buttons to choose YES or NO. Choose YES and press ENTER button to confirm command or choose NO to cancel command, as shown in Figure 4-9.

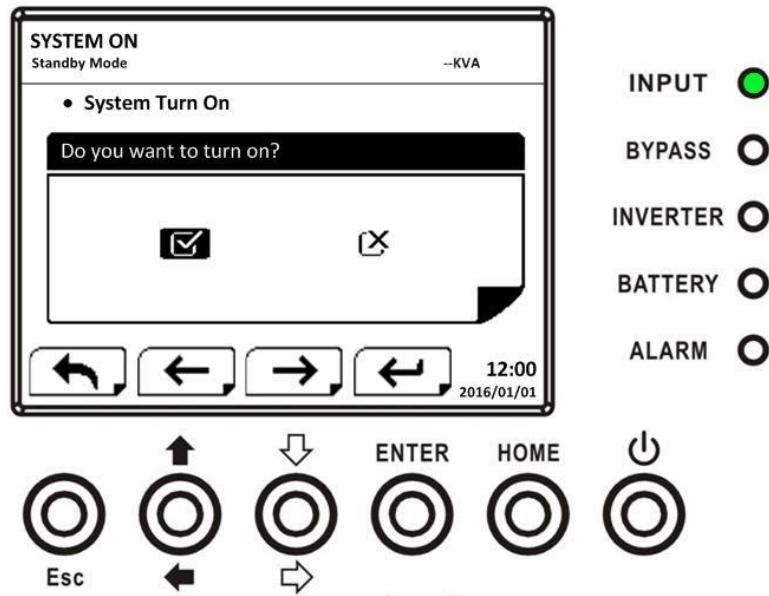


Figure 4-9 Confirmation screen

4.2.5 Measurement Screen

Use UP and DOWN buttons to choose MEASUREMENT option, and press ENTER button to go into the submenu, as shown in Figure 4-10, 4-11.

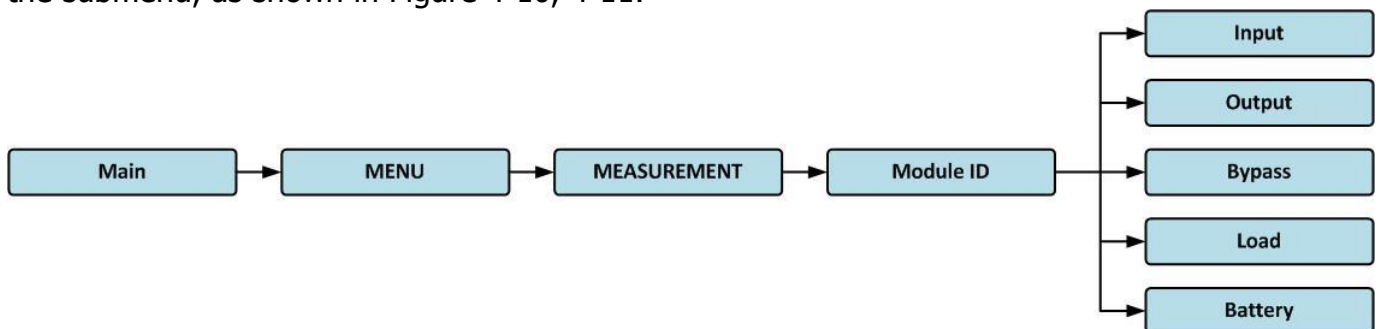


Figure 4-10 Measurement menu

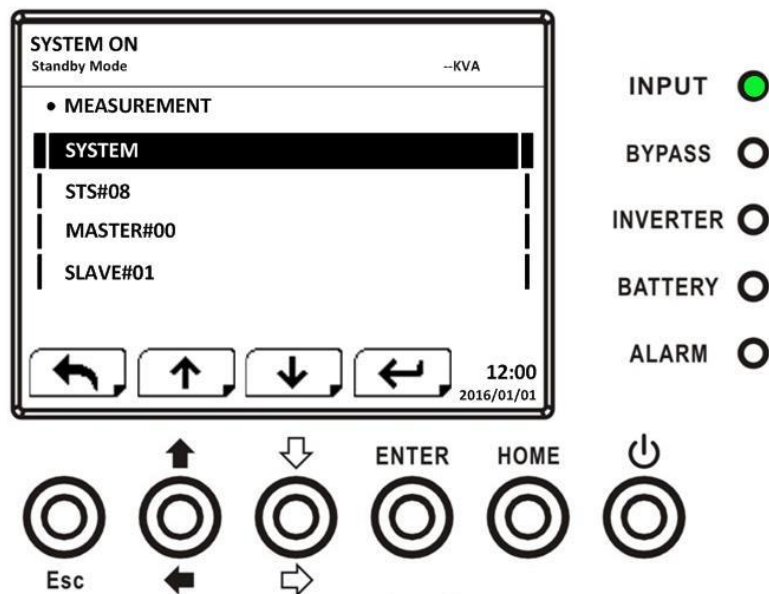


Figure 4-11 Measurement Menu Screen

Use UP and DOWN buttons to choose System, STS, Power Module option, and press ENTER button to go into the submenu, as shown in Figure 4-12.

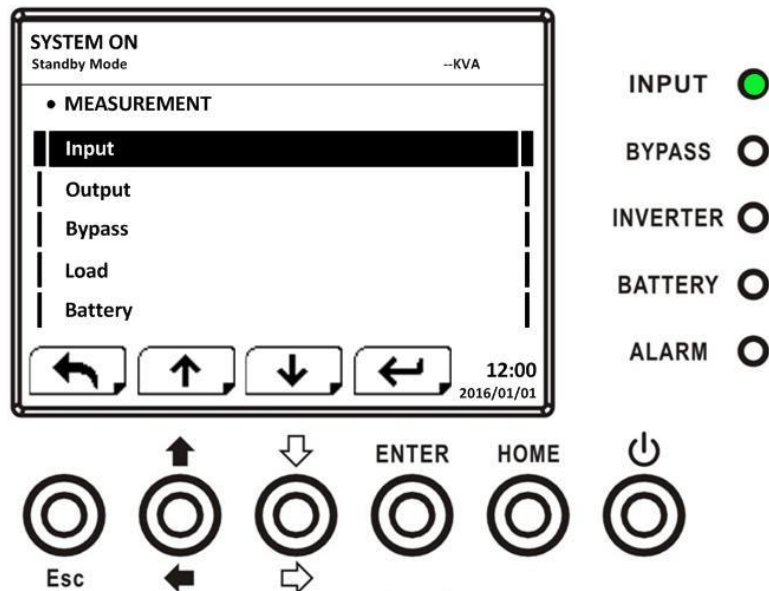


Figure 4-12 Measurement source selection Screen

Use UP and DOWN buttons to choose Input, Output, Bypass, Load, and Battery option, and press ENTER button to go into submenu. The measurement can be read listed in **Table 4-4**.

Table 4-4: Measurement data

Menu	Item	Explanation
Input	L-N Voltage (V)	Input phase voltage (L1, L2, L3). Units 0.1V.
	Frequency (Hz)	Input Frequency (L1, L2, L3). Units 0.1Hz.
Output	L-N Voltage (V)	Output phase voltage (L1, L2, L3). Units 0.1V.
	L-N Current (A)	Output phase current (L1, L2, L3). Units 0.1A.
	Frequency (Hz)	Output Frequency (L1, L2, L3). Units 0.1Hz.
	Power Factor	Output Power Factor (L1, L2, L3).
Bypass	L-N Voltage (V)	Bypass phase voltage (L1, L2, L3). Units 0.1V.
	Frequency (Hz)	Bypass Frequency (L1, L2, L3). Units 0.1Hz.
	Power Factor	Bypass Power Factor (L1, L2, L3).
Load	Sout (KVA)	Apparent power. Units 0.1KVA.
	Pout (KW)	Active power. Units 0.1KW.
	Load Level (%)	The percentage of the UPS rating load. Units 1%.
Battery	Positive Voltage (V)	Battery Positive Voltage. Units 0.1V.
	Negative Voltage (V)	Battery Negative Voltage. Units 0.1V.
	Positive Current (A)	Battery Positive Current. Units 0.1A.
	Negative Current (A)	Battery Negative Current. Units 0.1A.
	Remain Time (Sec)	Battery run time remaining. Units 1sec.
	Capacity (%)	The percentage of the capacity of the battery. Units 1%.
	Test Result	Battery test result
	Charging Status	Battery charging status
	Temperature1(°C)	Battery cabinet temperature of STS module. Units 0.1°C.
	Temperature2(°C)	Battery cabinet temperature of extra communication card T1. Units 0.1°C.
Temperature3(°C)	Battery cabinet temperature of extra communication card T2. Units 0.1°C.	
Temperature4(°C)	Battery cabinet temperature of extra communication card T3. Units 0.1°C.	

	Temperature5(°C)	Battery cabinet temperature of extra communication card T4. Units 0.1°C.
--	------------------	--

4.2.6 Setup Screen

Use UP and DOWN buttons to choose SETUP options. It's required to enter password to access General, SYSTEM, BATTERY, PRE-ALARM and PARALLEL sub-menus, as shown in Figure 4-13.

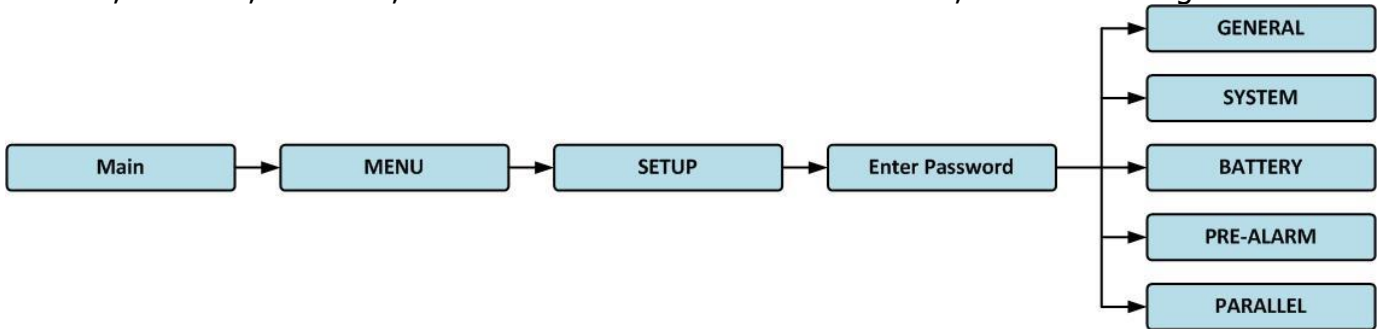


Figure 4-13 Setup menu

When the SETUP option is selected by pressing ENTER button, it will pop up a screen requesting to enter password, as shown in Figure 4-14.

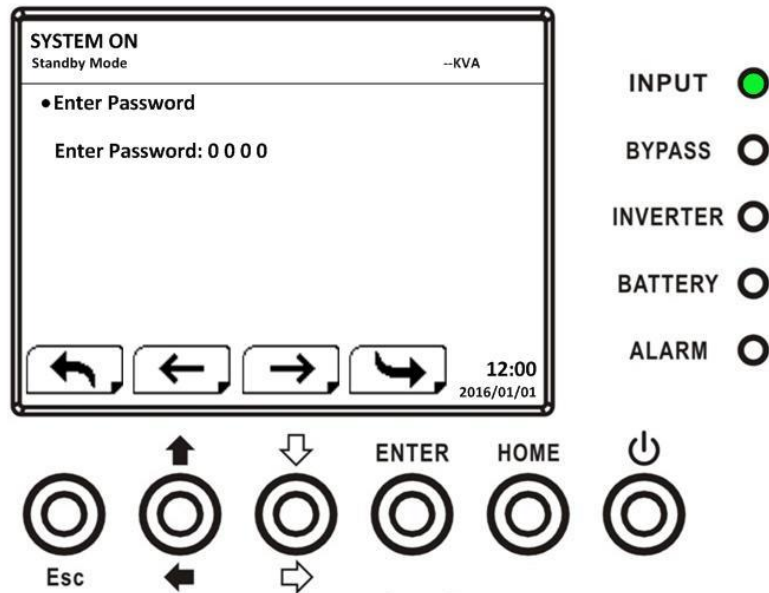


Figure 4-14 Enter password Screen

It's required to enter 4-digit password to enter SETUP submenu. If incorrect password is entered, the LCD screen will ask for re-entry.

If correct password is entered, the LCD will enter the SETUP submenu, as shown in Figure 4-16.

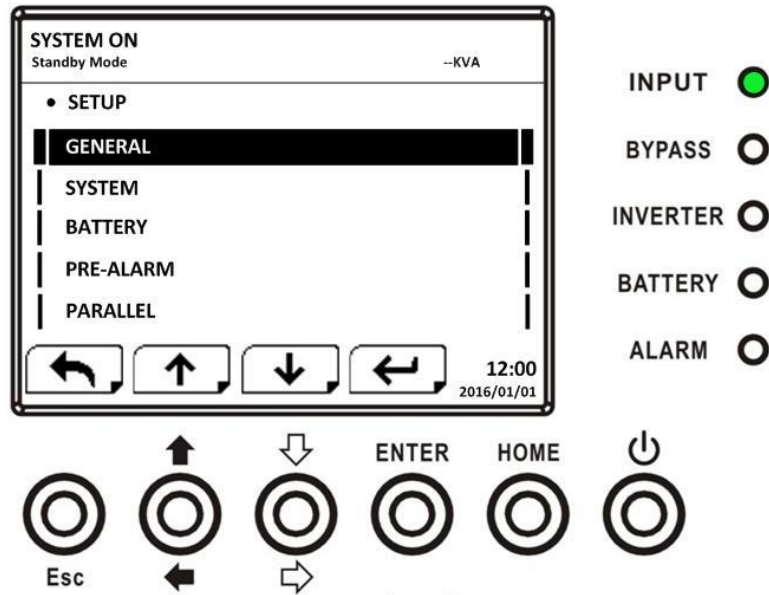


Figure 4-16 SETUP Submenu Screen

There are two levels of password protection, user password and maintainer password.

The default password for user is "0000". It could be change by user.

The manitainer password is owned by service personnel.

Entering different level of password can access to differnet settings. The setting can be changed in different operation mode. The **Table 4-5** lists the relevant information.

Table 4-5: All setting items in Setup Menu

Setting item	UPS operation Mode	Standby Mode	Bypass Mode	Line Mode	Battery Mode	Battery Test Mode	Fault Mode	Converter Mode	ECO Mode	Authorization		
										User	Maintainer	
General	Model Name	Y	Y	Y	Y	Y	Y	Y	Y		Y	
	Language	Y	Y	Y	Y	Y	Y	Y	Y	Y	Y	
	TIME	Y	Y	Y	Y	Y	Y	Y	Y		Y	
	Change Password	Y	Y	Y	Y	Y	Y	Y	Y	Y	Y	
	Baud Rate	Y	Y	Y	Y	Y	Y	Y	Y	Y	Y	
	Audible Alarm	Y	Y	Y	Y	Y	Y	Y	Y	Y	Y	
	Factory Reset	Y										Y
	EEPROM Reset	Y										Y
	EPO Function	Y										Y
	Save Setting	Y	Y								Y	Y
System	Output Voltage	Y	Y									Y
	Bypass Voltage Range	Y	Y	Y	Y	Y	Y	Y	Y			Y
	Bypass Frequency Range	Y	Y									Y
	Converter Mode	Y										Y
	ECO Mode	Y	Y	Y					Y			Y
	Bypass Mode	Y	Y									Y
	Auto-Restart	Y	Y	Y	Y	Y	Y	Y	Y			Y
	Cold Start	Y	Y	Y	Y	Y	Y	Y	Y			Y
	Battery Mode Delay Time	Y	Y	Y			Y	Y	Y			Y
System Shutdown Time	Y	Y	Y	Y	Y	Y	Y	Y			Y	

	System Restore Time	Y	Y	Y	Y	Y	Y	Y	Y		Y
	Redundancy	Y	Y	Y	Y	Y	Y	Y	Y		Y
	Power Rating Setting	Y									Y
	Charger Test	Y	Y	Y				Y	Y		Y
Battery	Nominal Battery Voltage	Y	Y								Y
	Battery Capacity in Ah	Y	Y	Y			Y	Y	Y		Y
	Maximum Charging Current	Y	Y								Y
	Battery Low/Shutdown Setting	Y	Y	Y			Y	Y	Y		Y
	Periodic Battery Test	Y	Y	Y	Y	Y	Y	Y	Y		Y
	Battery Test Interval	Y	Y	Y	Y	Y	Y	Y	Y		Y
	Stop by Time	Y	Y	Y	Y		Y	Y	Y		Y
	Stop by Battery Voltage	Y	Y	Y	Y		Y	Y	Y		Y
	Stop by Battery Capacity	Y	Y	Y	Y		Y	Y	Y		Y
	Battery Age Alert	Y	Y	Y	Y	Y	Y	Y	Y		Y
	Temperature Compensation	Y	Y	Y	Y	Y	Y	Y	Y		Y
Charging Voltage	Y	Y									Y
	Pre-Alarm	Y	Y	Y	Y	Y	Y	Y	Y		Y
Parallel	UPS Parallel	Y	Y								Y
	Independent Battery	Y	Y								Y

“Y” means that this setting item can be set in this operation mode.

4.2.6.1 Setup-General Screen

Use UP and DOWN buttons to choose between different sub-menus, and press ENTER button to go into the GENERAL setting screen, as shown in Figure 4-17, 4-18. General setting can be set in any operating mode and Setup-General setting list is shown in **Table 4-6**.

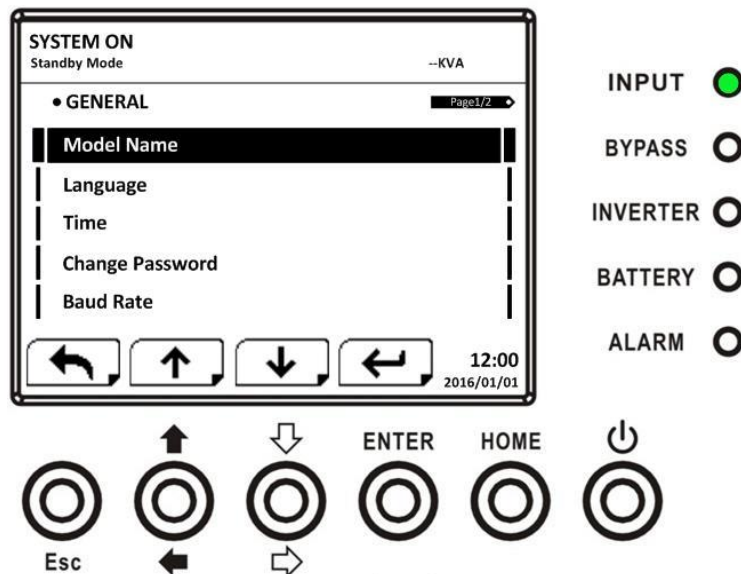


Figure 4-17 Setup-General Screen page 1

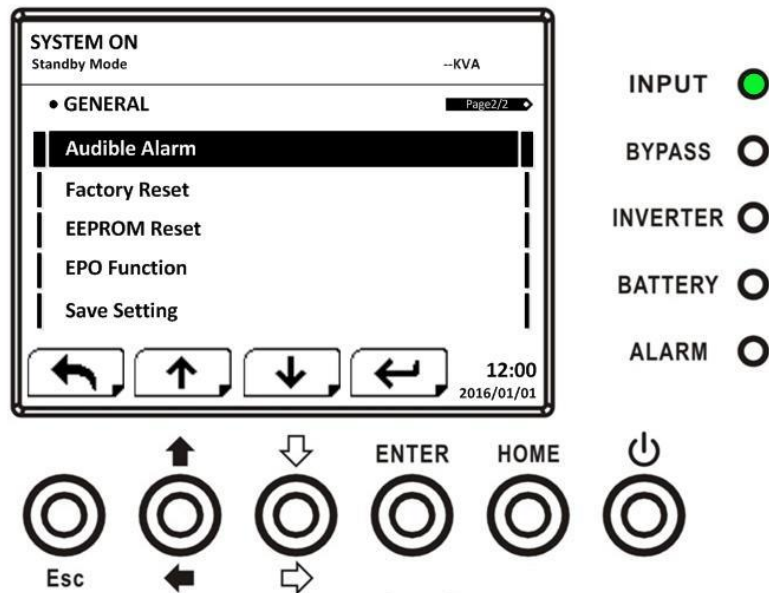


Figure 4-18 Setup-General Screen page 2

Use LEFT and RIGHT buttons to choose the setting options for setting requirement, then press ENTER. The confirmation screen will pop up, use LEFT and RIGHT buttons to choose YES or NO. Choose YES and press ENTER button to confirm setting or choose NO to cancel the setting, as shown in Figure 4-19.

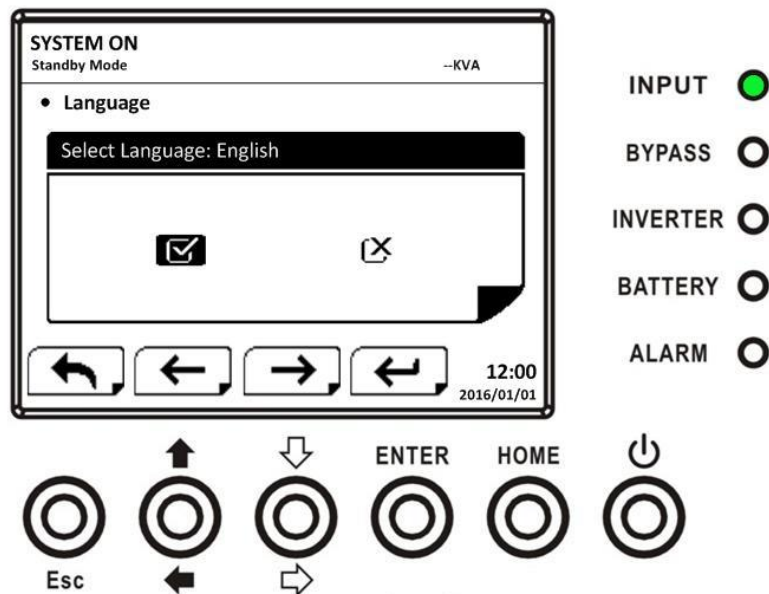


Figure 4-19 SETUP Confirmation screen

Table 4-6: Setup-General setting list

Setting Item	Sub Item	Explanation
Model Name		Set UPS Name (xxxxxxxxxx). The max. length is 10 characters.
Language	--	Provides 3 optional LCD languages: <ul style="list-style-type: none"> ● English (Default) ● Traditional Chinese ● Simplified Chinese ● Deutsch
TIME	Adjust Time	Set current date and time. (yyyy / mm / dd hour : min : sec) MUST be set after UPS installation
	System Installed Date	Set system installed date

		(yyyy / mm / dd) 2015/1/1 (Default) MUST be set after UPS installation
	System Last Maintain Date	Set system latest maintenance date (yyyy / mm / dd) MUST be set after UPS installation
	Battery Installed Date	Set battery installed date (yyyy / mm / dd) MUST be set after UPS installation
	Battery Last Maintain Date	Set battery latest maintenance date (yyyy / mm / dd) MUST be set after UPS installation
Change Password	--	Set New Password. 0000 (Default)
Baud Rate	--	Set COM Port0 Baud Rate ● 2400 (Default) ● 4800 ● 9600 Set COM Port1 Baud Rate ● 2400 (Default) ● 4800 ● 9600
Audible Alarm	--	Set Audible Alarm ● Disable ● Enable (Default)
Factory Reset	--	Restore to factory default setting Refer to Table 4-7
EEPROM Reset	--	Set EEPROM default Refer to Table 4-7
EPO Function	--	Set EPO active status ● Normal Close Active ● Normal Open Active (Default)
Save Setting	--	Save EEPROM Use this feature to save the setting(s) you have done.

Table 4-7: EEPROM Reset Category list

Setting Item		Factory Reset	EEPROM Reset
General	Model Name		
	Language	Y	Y
	Adjust Time		
	System Installed Date		Y
	System Last Maintain Date		Y
	Battery Installed Date		Y
	Battery Last Maintain Date		Y
	Change Password		Y
	Baud Rate		Y
	Audible Alarm	Y	Y
	Factory Reset	--	--
	EEPROM Reset	--	--
	EPO Function		Y

	Save Setting	--	--
System	Output Voltage		Y
	Bypass Voltage Range	Y	Y
	Bypass Frequency Range	Y	Y
	Converter Mode	Y	Y
	ECO Mode	Y	Y
	Bypass Mode	Y	Y
	Auto-Restart	Y	Y
	Cold Start		Y
	Battery Mode Delay Time	Y	Y
	System Shutdown Time	Y	Y
	System Restore Time	Y	Y
	Redundancy		Y
	Power Rating Setting	Y	Y
	Charger Test	--	--
Battery	Nominal Battery Voltage	Y	Y
	Battery Capacity in Ah	Y	Y
	Maximum Charging Current	Y	Y
	Battery Low/Shutdown Setting	Y	Y
	Periodic Battery Test	Y	Y
	Battery Test Interval	Y	Y
	Stop by Time	Y	Y
	Stop by Battery Voltage	Y	Y
	Stop by Battery Capacity	Y	Y
	Battery Age Alert	Y	Y
	Temperature Compensation	Y	Y
	Charging Voltage	Y	Y
Pre-Alarm			Y

4.2.6.2 Setup-System Screen

Use UP and DOWN buttons to choose between different sub-menus, and press ENTER button to go into the SYSTEM setting screen, as shown in Figure 4-20, 4-21, 4-22.

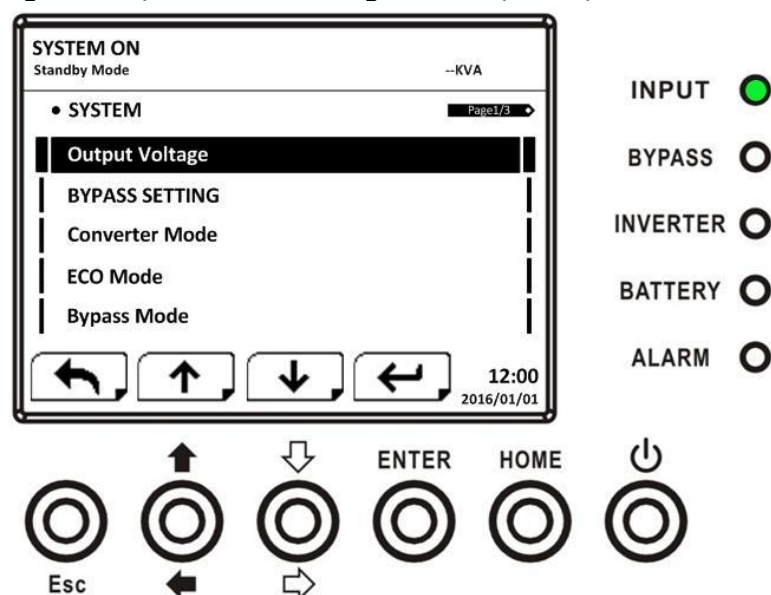


Figure 4-20 Setup-System Screen page 1

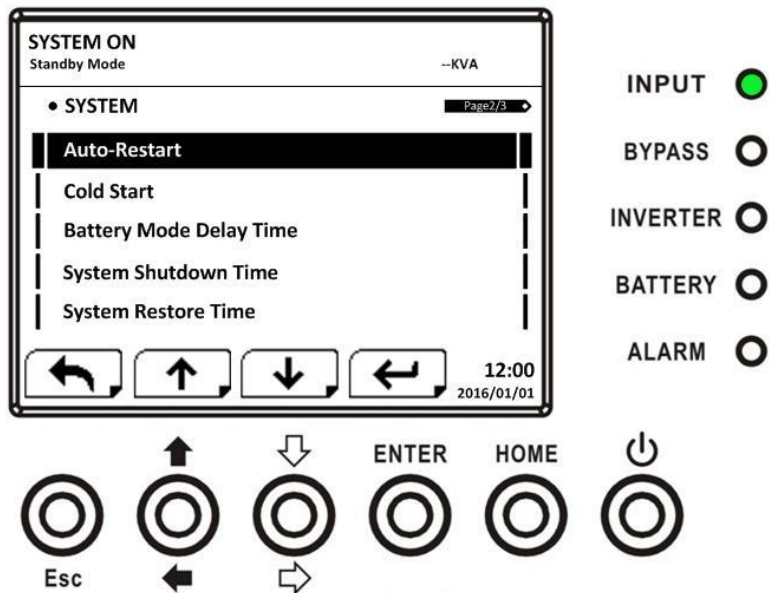


Figure 4-21 Setup-System Screen page 2

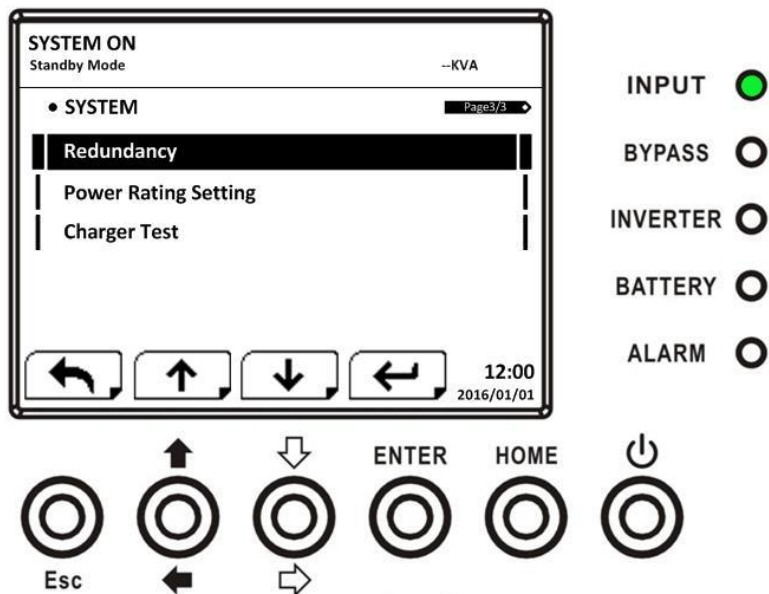


Figure 4-22 Setup-System Screen page 3

System setting can be set only when UPS is operating in certain mode. Please check available setting item in **Table 4-5** for the details. If it's not set up in specific mode, the warning screen will appear, as shown in Figure 4-23.

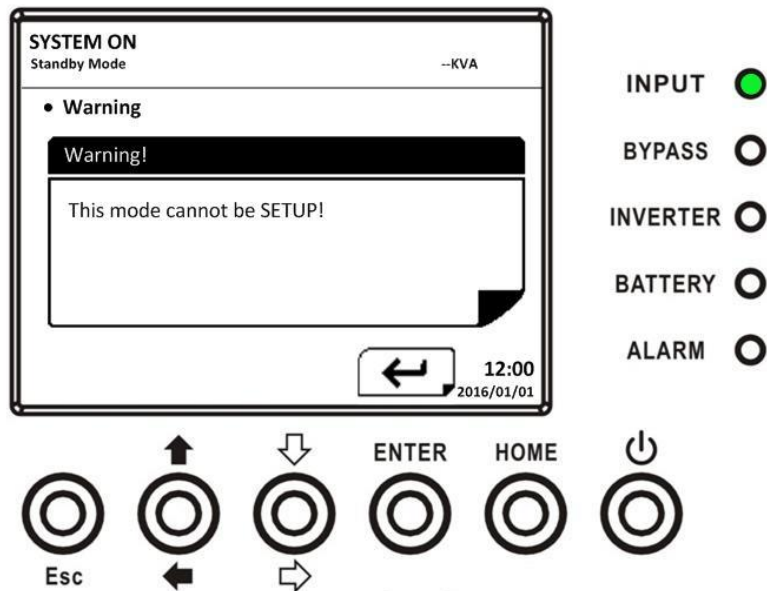


Figure 4-23 Warning screen

Setup-System setting list is shown in **Table 4-8**.

Table 4-8: Setup-System setting list

Setting Item	Sub Item	Explanation
Output Voltage	--	Set output voltage <ul style="list-style-type: none"> ● 220Vac (Default) ● 230Vac ● 240Vac MUST be reviewed after UPS installation
BYPASS SETTING	Bypass Voltage Range	Set bypass voltage range: Upper limit <ul style="list-style-type: none"> ● +10% ● +15% (Default) ● +20% Lower limit <ul style="list-style-type: none"> ● -10% ● -20% (Default) ● -30%
	Bypass Frequency Range	Set bypass Frequency range: Upper/ Lower limit <ul style="list-style-type: none"> ● +/- 1Hz ● +/- 2Hz ● +/- 4Hz (Default)
Converter Mode	--	Set converter mode <ul style="list-style-type: none"> ● Disable (Default) ● Enable
ECO Mode	--	Set ECO mode <ul style="list-style-type: none"> ● Disable (Default) ● Enable
Bypass Mode	--	Set bypass mode <ul style="list-style-type: none"> ● Disable (Default) ● Enable MUST be reviewed after UPS installation. If you need the Bypass power when UPS is OFF, please enable it.

Auto-Restart	--	<p>Set auto-restart</p> <ul style="list-style-type: none"> ● Disable ● Enable (Default) <p>After "Enable" is set, once UPS shutdown occurs due to low battery and then utility restores, the UPS will return to line mode.</p>
Cold Start	--	<p>Set cold start</p> <ul style="list-style-type: none"> ● Disable ● Enable (Default) <p>After "Enable" is set, the UPS can be turned on without connecting to utility by pressing Battery Start Button. Refer to cold start operation for the details.</p>
Battery Mode Delay Time	--	<p>Set system shutdown delay time in battery mode (0~9990sec).</p> <ul style="list-style-type: none"> ● 0: Disable (Default) ● Not 0: Enable <p>When this feature is enabled, UPS will shut off output after UPS operates in Battery mode for certain seconds.</p>
System Shutdown Time	--	<p>Set system shutdown time (0.2~99min)</p> <ul style="list-style-type: none"> ● 0.2 min (Default) <p>This delay time will start counting when the CONTROL-Shutdown Restore command is executed.</p>
System Restore Time	--	<p>Set system restore time (0~9999min)</p> <ul style="list-style-type: none"> ● 1 min (Default) <p>This delay time will start counting after shutdown time is elapsed when the CONTROL-Shutdown Restore command is executed.</p>
Redundancy	--	<p>Set total power and redundancy</p> <p>Total Power: the QTY of Power Modules</p> <p>Redundancy: the QTY of redundant power module</p> <p>MUST be set after UPS installation or the QTY of Power Module is changed</p>
Power Rating Setting		<p>Set Power Module Rating</p> <ul style="list-style-type: none"> ● 20KVA ● 30KVA (Default) <p>The 30K cabinet can be inserted with all 20KVA power modules. For this kind of application, the Power Rating has to be set to 20KVA.</p> <p>If setting is not corresponding to power capacity of power module, it will show error message.</p> <p>MUST be reviewed after UPS installation</p>
Charger Test	--	<p>Set charger test</p> <ul style="list-style-type: none"> ● Disable (Default) ● Enable

4.2.6.3 Setup-Battery Screen

Use UP and DOWN buttons to switch different sub-menus. Press ENTER button to go into the BATTERY setting screen, as shown in Figure 4-24, 4-25.

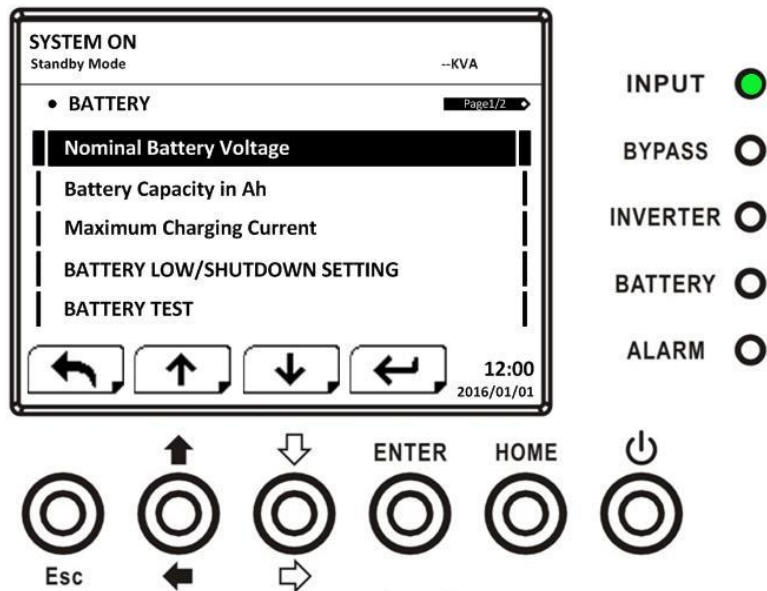


Figure 4-24 Setup-Battery Screen page 1

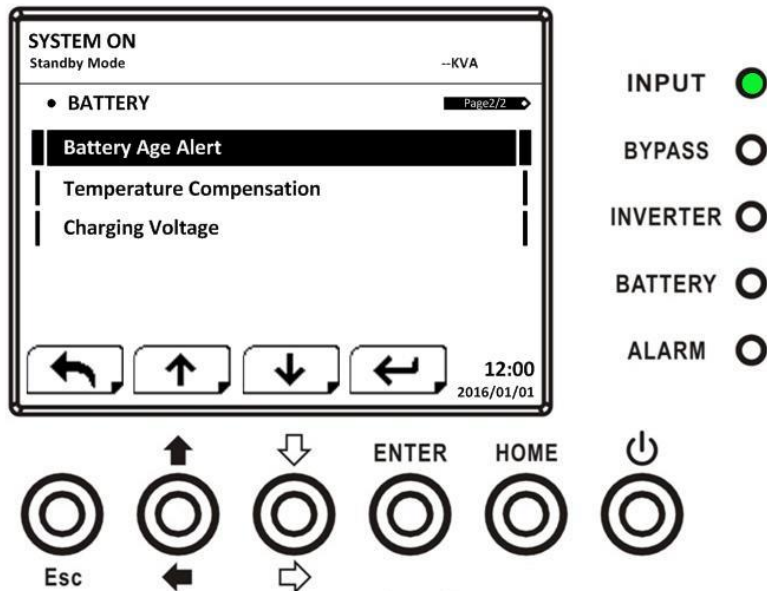


Figure 4-25 Setup-Battery Screen page 2

Battery setting can be set only when UPS is operating in standby mode. If it's not in standby mode, the warning screen will appear as shown in Figure 4-23. See Setup-Battery setting list in **Table 4-9**.

Table 4-9: Setup-Battery setting list

Setting Item	Sub Item	Explanation
Nominal Battery Voltage	--	Set battery nominal voltage <ul style="list-style-type: none"> ● 16x12V (Default) ● 18x12V ● 20x12V MUST be set after UPS installation
Battery Capacity in Ah	--	Set battery capacity. (0~999) <ul style="list-style-type: none"> ● 9Ah (Default) MUST be set after UPS installation or Battery capacity is changed.
Maximum Charging	--	Set battery maximum charging current (1~128A) <ul style="list-style-type: none"> ● 2A (Default)

Current		MUST be set after UPS installation or Battery capacity is changed.
Battery Low/ Shutdown SETTING	Battery Low Voltage	Set battery low voltage (10.5~11.5V)x(battery Number) ● 11V x Battery Number (Default)
	Battery Low Capacity	Set battery low capacity (20~50%) ● 20% (Default)
	Battery Shutdown Voltage	Set battery voltage point for system shutdown in battery mode (10.0~11V) x (battery Number) ● 10V x Battery Number (Default)
BATTERY TEST	Periodic Battery Test	Set periodic battery test disable or enable ● Disable (Default) ● Enable
	Battery Test Interval	Set battery test interval (7~99 Days) ● 30 Days (Default)
	Stop by Time	Set testing time for battery test (10~1000sec) ● 10 sec (Default)
	Stop by Battery Voltage	Set stop battery voltage in battery test (11~12V) x (battery Number) ● 11V x Battery Number (Default)
	Stop by Battery Capacity	Set battery capacity to stop battery-testing. (20~50%) ● 20% (Default)
Battery Age Alert	Battery Age Alert (Months)	Set battery age for replacement. (Disable,12~60Months) ● Disable (Default) If this feature is enabled and the battery has been installed over this period, there is a warning "Battery Age Alert" to indicate it.
Temperature Compensation	--	Set battery temperature compensation. (0~-5 (mV/C/cl)) ● 0(mV/C/cl) (Default)
Charging Voltage	--	Set battery charging voltage. (2.30~2.35V) ● 2.35V (Default) Set battery float voltage. (2.30~2.35V) ● 2.29V (Default)

4.2.6.4 Pre-Alarm Screen

Use UP and DOWN buttons to switch different sub-menus. Press ENTER button to go into the Pre-Alarm setting screen, as shown in Figure 4-26.

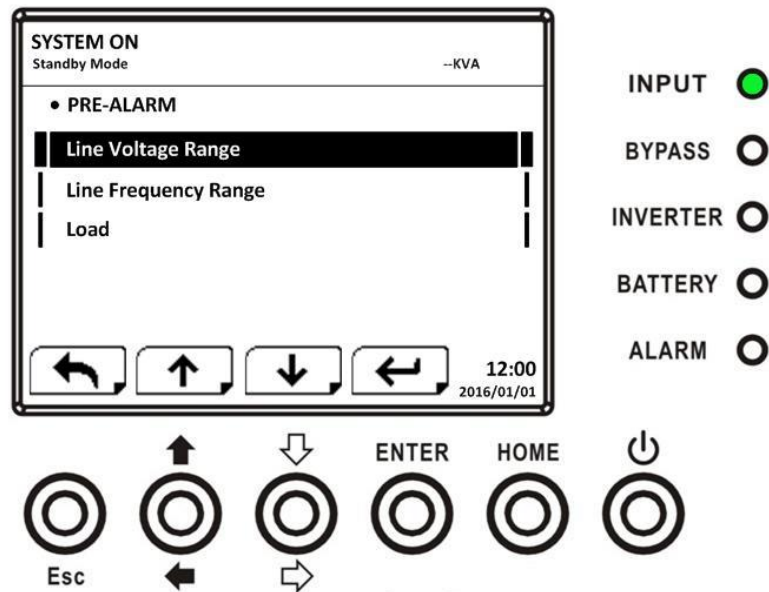


Figure 4-26 Setup-Pre-Alarm screen

Pre-Alarm setting can be set in any operation mode. See Setup-Pre-Alarm setting list in **Table 4-10**.

Table 4-10: Setup-Pre-Alarm setting list

Setting Item	Sub Item	Explanation
Line Voltage Range	--	Set line voltage range: Upper limit <ul style="list-style-type: none"> ● +5% ● +10% ● +15% ● +20% (Default) Lower limit <ul style="list-style-type: none"> ● -5% ● -10% ● -15% ● -20% (Default)
Line Frequency Range	--	Set line frequency range: Upper / Lower limit <ul style="list-style-type: none"> ● +/- 1Hz ● +/- 2Hz ● +/- 3Hz ● +/- 4Hz (Default)
Load	--	Set UPS Overload percentage (40~100%) <ul style="list-style-type: none"> ● 100% (Default) Set UPS load unbalance percentage (20~100%) <ul style="list-style-type: none"> ● 100% (Default)

4.2.6.5 Setup-Parallel Screen

Use UP and DOWN buttons to switch between different sub-menus. Press ENTER button to go into the PARALLEL setting screen, as shown in Figure 4-27.

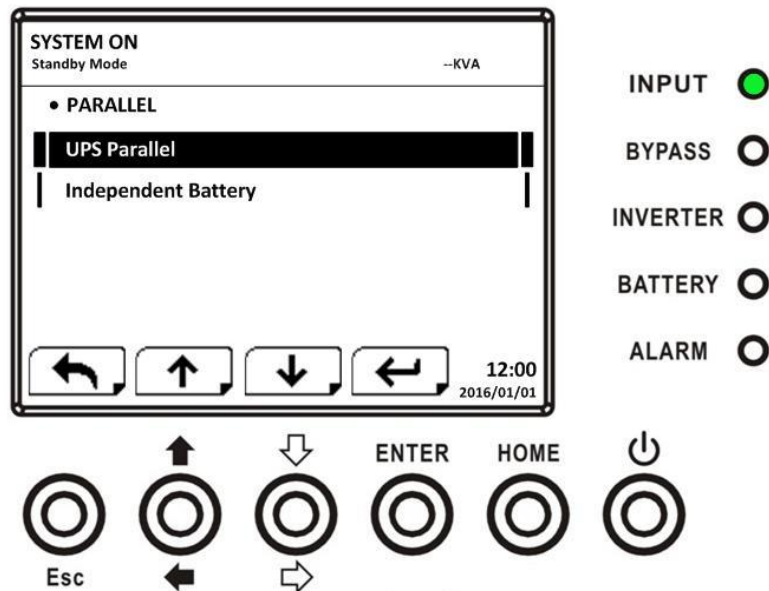


Figure 4-27 Setup-Parallel screen

See Setup-Parallel setting list in **Table 4-11**.


 Warning	
<ul style="list-style-type: none"> ● The warning “Warning! Parallel Firmware Error” will appear in current event when the parallel setting is enabled, but the firmware does not support this feature. ● The way to release this warning is to turn off the AC power source and shut down the system. After the system shutdown completely, turn on the AC power to restart the UPS. 	

Table 4-11: Setup-Parallel setting list

Setting Item	Sub Item	Explanation
UPS Parallel	--	Set UPS parallel <ul style="list-style-type: none"> ● Disable (Default) ● Enable
Independent Battery	--	Set Independent Battery <ul style="list-style-type: none"> ● Disable (Default) ● Enable

4.2.7 Information Screen

In INFORMATION menu, you can check the serial number, firmware versions, system configuration and settings of the UPS. There are submenus under the INFORMATION, including Identification, System and Battery, as shown in Figure 4-28, 4-29.

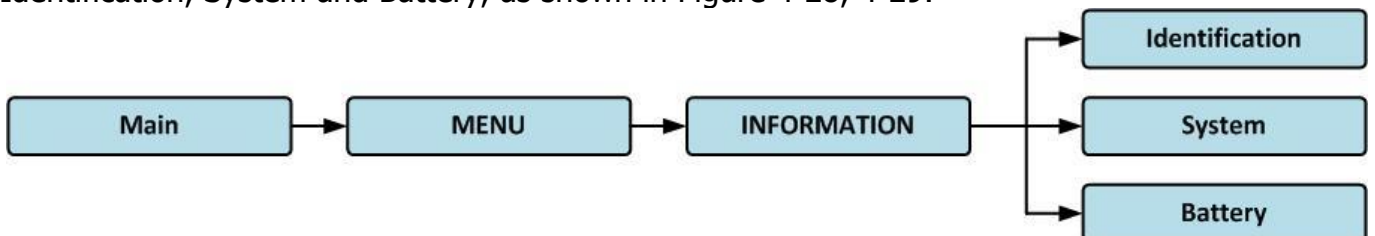


Figure 4-28 Information menu

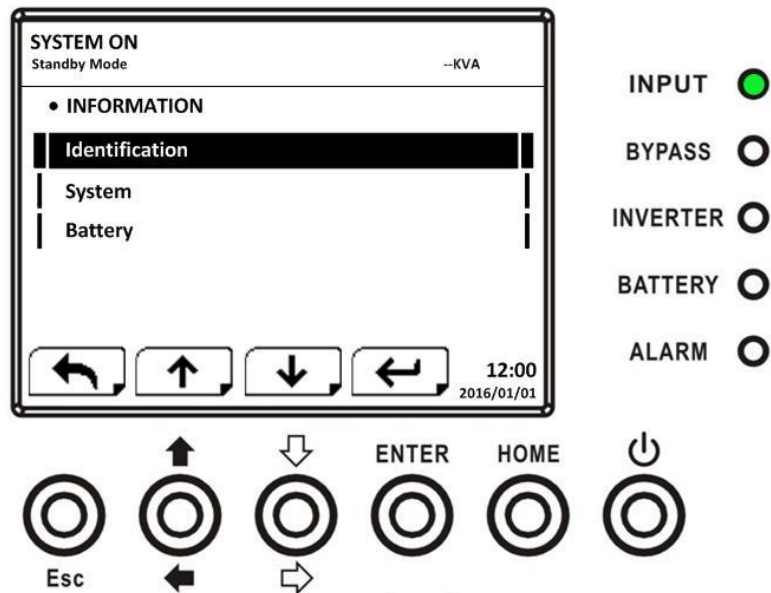


Figure 4-29 INFORMATION screen

4.2.7.1 INFORMATION - Identification Screen

When Identification submenu is selected, the Model Name, Serial No. and Firmware Version will be displayed, as shown in Figure 4-30, 4-31. Use UP and DOWN buttons to switch between different pages.

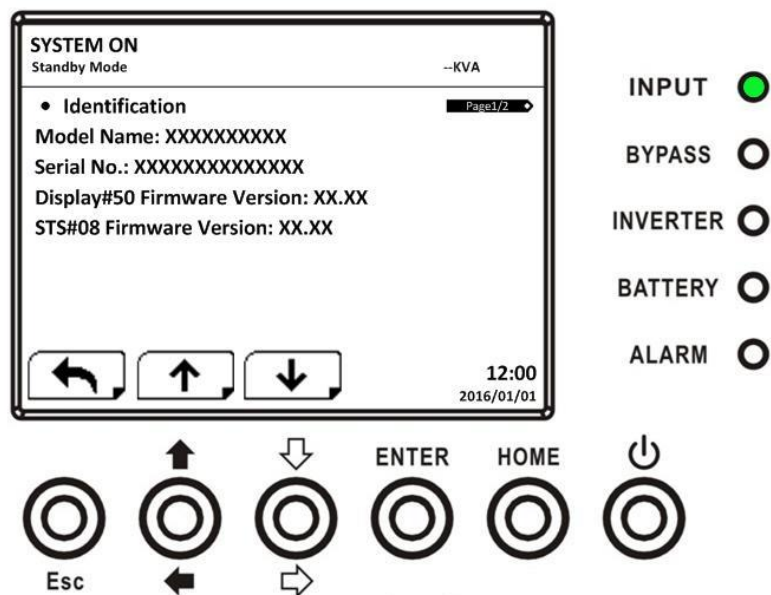


Figure 4-30 Identification screen page 1

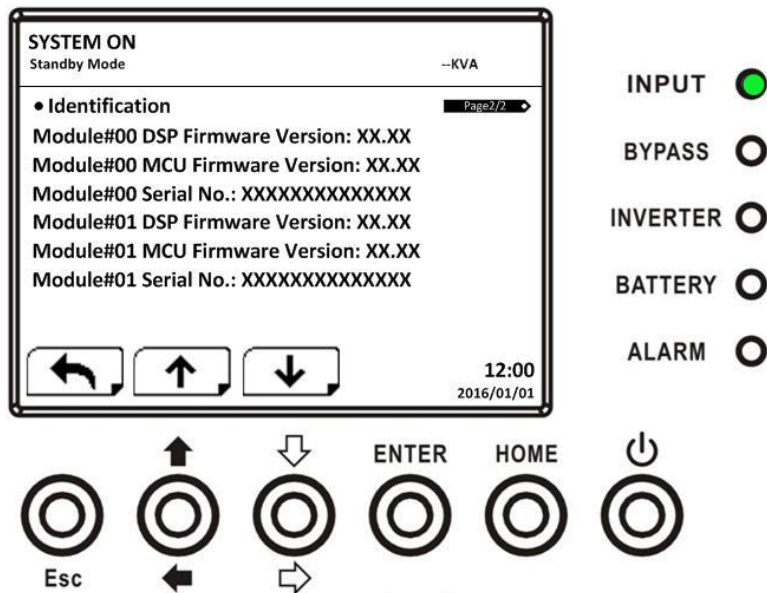


Figure 4-31 Identification screen page 2

4.2.7.2 INFORMATION - System Screen

When System submenu is selected, the system power, nominal voltage, nominal frequency ... etc. information will be displayed, as shown in Figure 4-32, 4-33, 4-34. Use UP and DOWN buttons to switch between different pages.

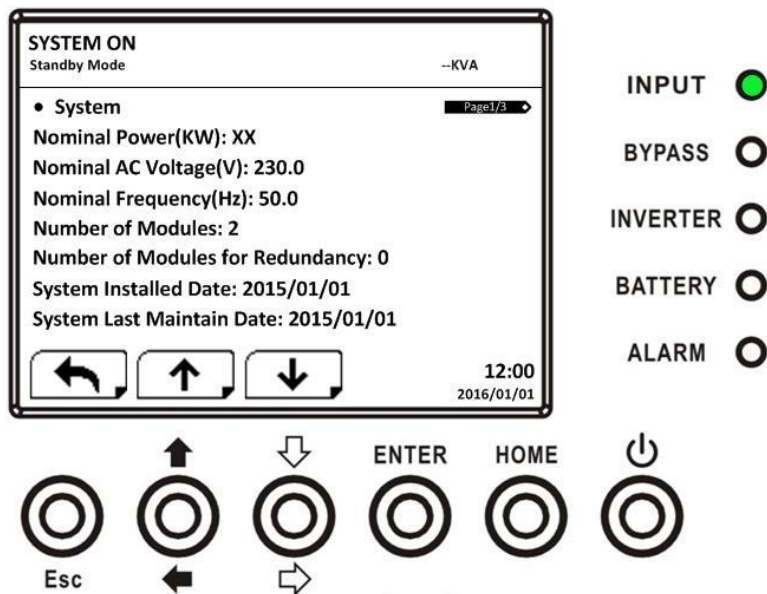


Figure 4-32 INFORMATION System screen page 1

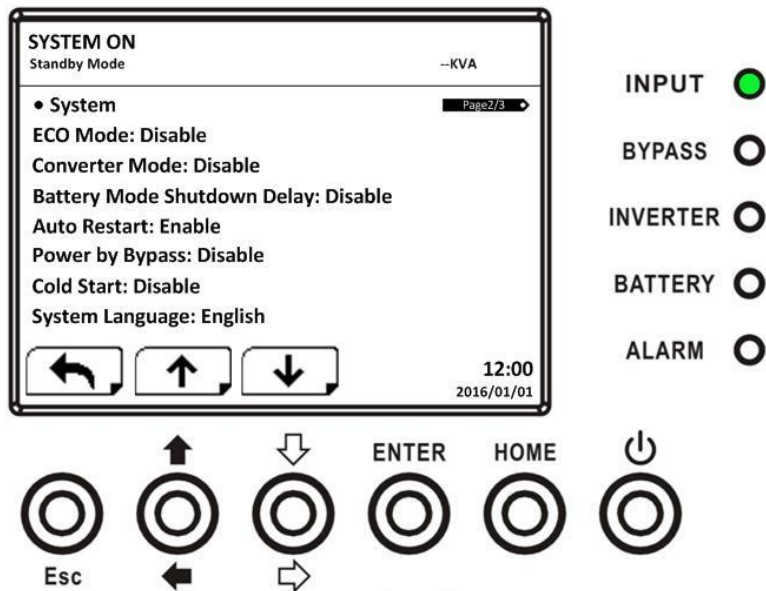


Figure 4-33 INFORMATION System screen page 2

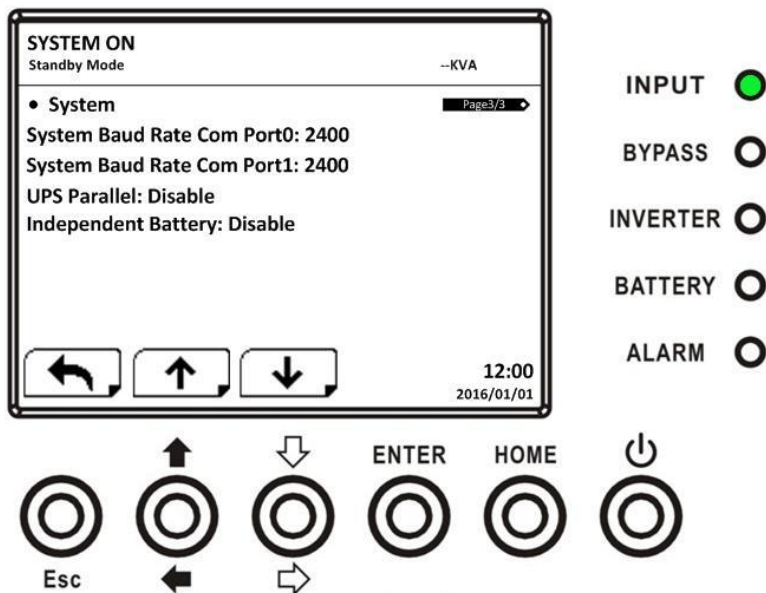


Figure 4-34 INFORMATION System screen page 3

4.2.7.2 INFORMATION - Battery Screen

When Battery submenu is selected, the Battery nominal voltage, capacity, charging current ... etc. information will be displayed, as shown in Figure 4-35, 4-36. Use UP and DOWN buttons to switch different pages.

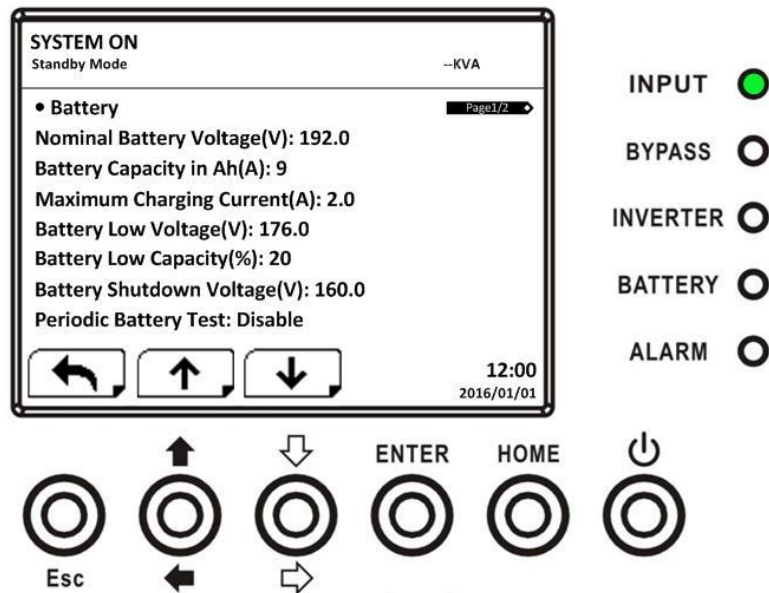


Figure 4-35 INFORMATION Battery screen page 1

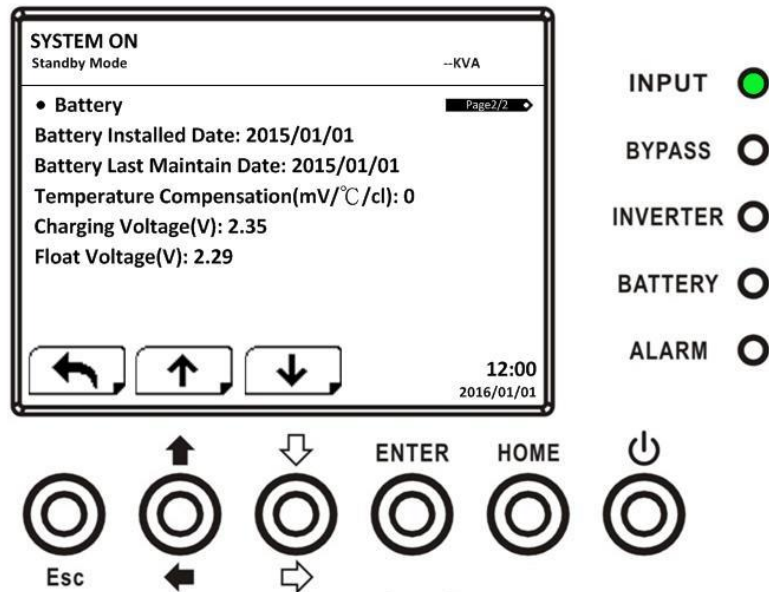


Figure 4-36 INFORMATION Battery screen page 2

4.2.8 Events Screen

In EVENT menu, you can check the current events, history events and reset all events, as shown in Figure 4-37, 4-38.

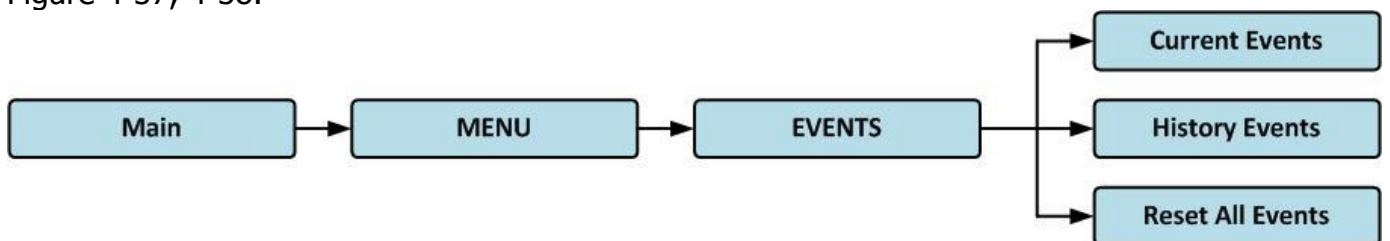


Figure 4-37 Events menu

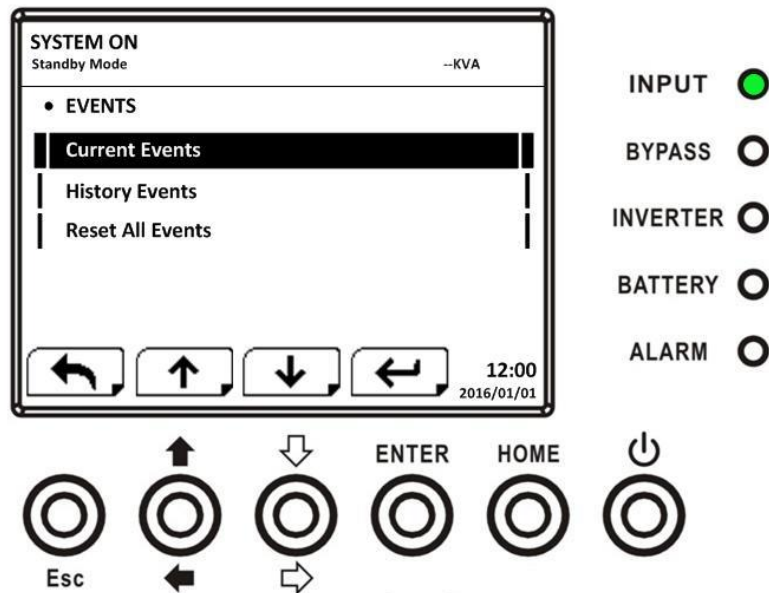


Figure 4-38 Events screen

When event occurs, you will see flashing warning text in the Main Screen as shown in Figure 4-39.

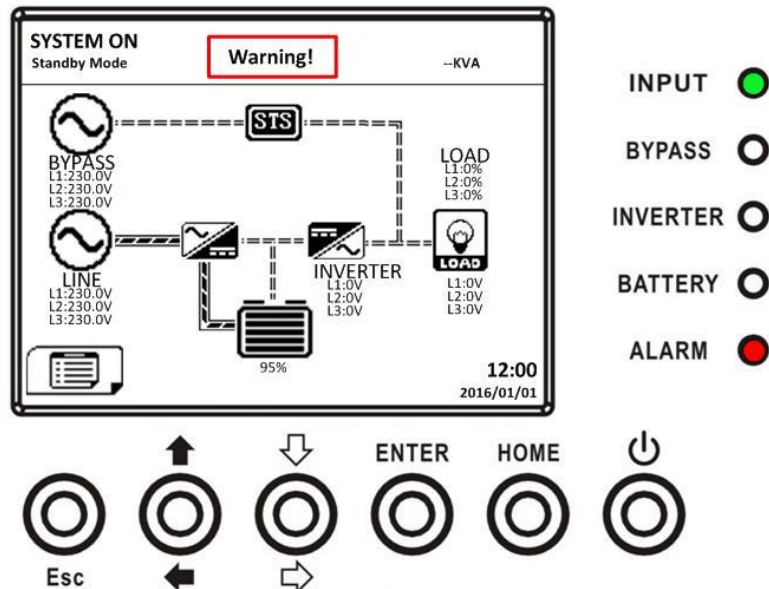


Figure 4-39 Alarm warning screen

4.2.8.1 Current Events

When event occurs, it will display Module ID and alarm code in Current Events screen. It can save up to 50 events in current list. Only 4 events can be listed in one page. Therefore, if it exceeds more than four, you have to press UP or DOWN button to read other events as shown in Figure 4-40.

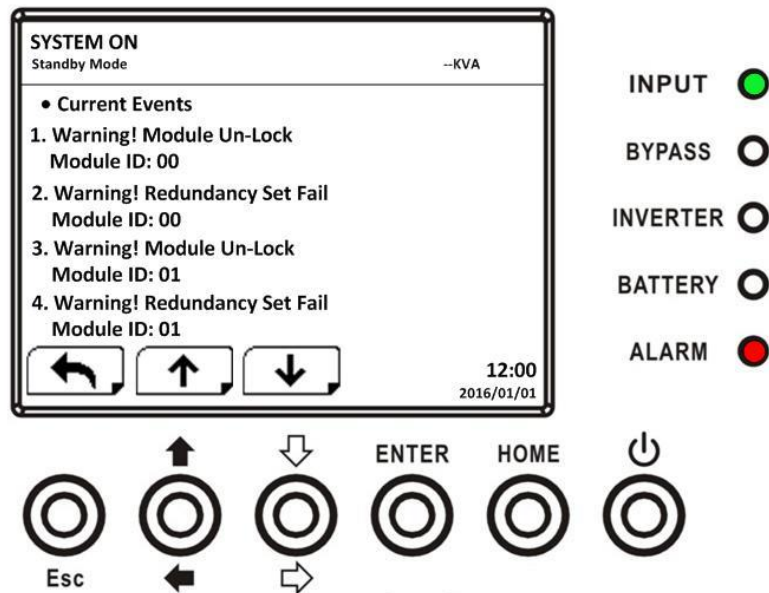


Figure 4-40 Current Events screen

4.2.8.2 History Events

The detailed event information is saved in history events. It can save up to 500 events in history events. When warning occurs, it will display alarm code, alarm time and Module ID. When fault event occurs, it will display alarm code, alarm time, Module ID and data 1~2. (Refer to **Table 4-12 Alarm List**) In order to record more historical information about the UPS system, the important setting changed (refer to **Table 4-13 Important setting changed**), UPS operation mode changes (refer to **Table 4-14 UPS mode change**) and control action executes (refer to **Table 4-15 Control execution**) will be saved in History Events. Refer to Figure 4-41 for display screen.

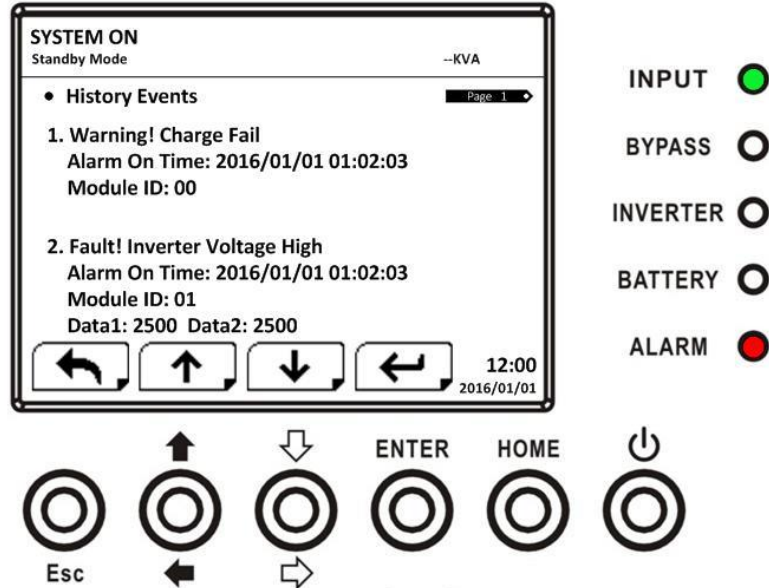


Figure 4-41 History Events screen

4.2.8.3 Reset All Events

The Maintainer password is required to enter Reset All Events screen as shown in Figure 4-42. Then, use LEFT and RIGHT buttons to choose YES or NO. Choose YES and press ENTER button to reset all events or choose NO to cancel this action as shown in Figure 4-43.

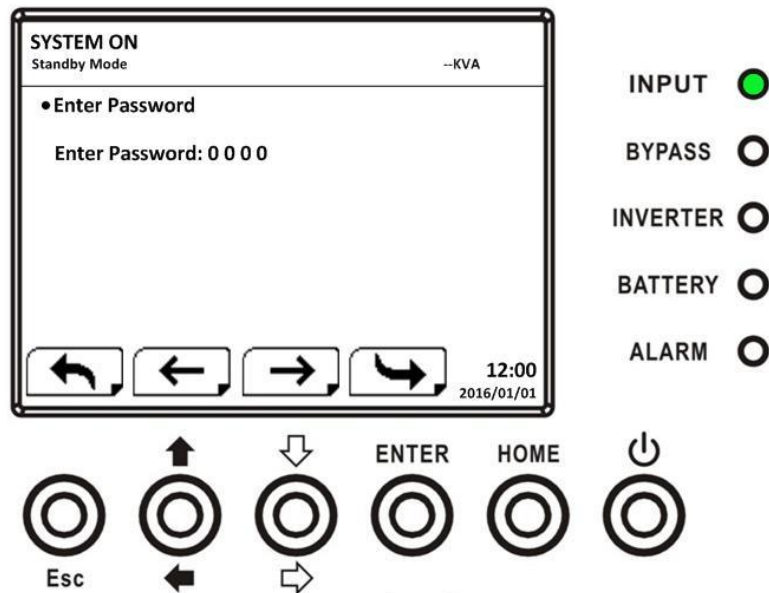


Figure 4-42 Reset All Events screen

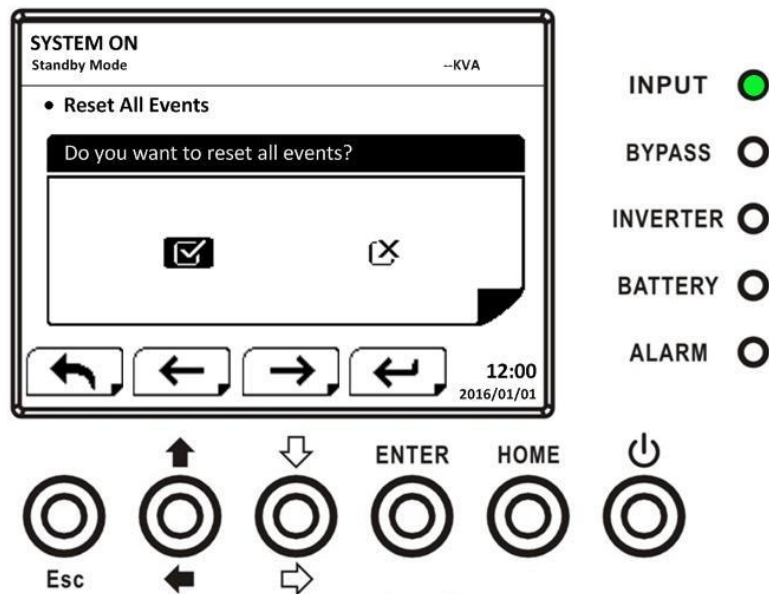


Figure 4-43 Reset All Events Confirmation screen

4.3 Alarm List

In **Table 4-12**, it provides the complete list of UPS alarm messages.

Table 4-12: Alarm List

Representation in display LCD	Explanation
Fault! Bus Over Voltage	DC bus voltage is too high
Fault! Bus Under Voltage	DC bus voltage is too low
Fault! Bus Voltage Unbalance	DC bus voltage is not balanced
Fault! Bus Short	DC bus is short
Fault! Bus Soft Start Time Out	The rectifiers can't start due to low DC bus voltage within specified duration
Fault! Inverter Soft Start Time Out	Inverter bus voltage cannot reach desired voltage within specified duration
Fault! Inverter Voltage Over	Inverter Voltage is over Peak Value.

Fault! Inverter Voltage High	Inverter Voltage is too high
Fault! Inverter Voltage Low	Inverter Voltage is too Low
Fault! R Inverter Voltage Short	R phase inverter Output is short-circuited.
Fault! S Inverter Voltage Short	S phase inverter Output is short-circuited.
Fault! T Inverter Voltage Short	T phase inverter Output is short-circuited.
Fault! RS Inverter Voltage Short	R-S inverter Output is short-circuited.
Fault! ST Inverter Voltage Short	S-T inverter Output is short-circuited.
Fault! TR Inverter Voltage Short	T-R inverter Output is short-circuited.
Fault! Inverter R Negative Power	R phase inverter Output Negative Power over range
Fault! Inverter S Negative Power	S phase inverter Output Negative Power over range
Fault! Inverter T Negative Power	T phase inverter Output Negative Power over range
Fault! Over Load Fault	Heavy overload causes UPS fault.
Fault! Battery Fault	Batteries reversed
Fault! Over Temperature	Make sure adequate space is allowed for air ventilation and the fan is working
Fault! CAN Fault	CAN communication fault
Fault! TRIGO Fault	Synchronized trigger signal fault
Fault! Relay Fault	Inverter relay fault
Fault! Line SCR Fail	Line SCR short circuit fault
Fault! EEPROM Fault	EEPROM operation error
Fault! Parallel Cable Loosen Fault	As stated.
Fault! DSP MCU Stop Communicate	As stated.
Fault! Bypass Temperature Fault	As stated
Fault! Bypass SCR Fault	As stated.
Line Fail	Utility lost or abnormal
Line Restore	Utility recovered to normal
Warning! EPO Active	Check the EPO connector
Warning! Over Load Fail	The load devices are demanding more power than the UPS can supply. Line mode will transfer to Bypass mode.
Warning! Communicate CAN Fail	CAN communication error
Warning! Over Load	In Line mode, the load devices are demanding more power than the UPS can supply.
Warning! Battery Open	Battery not connected
Warning! Battery voltage High	Battery voltage is too High
Warning! Module Un-Lock	As stated.
Warning! Turn On Abnormal	As stated.
Warning! Charge Fail	As stated.
Warning! EEPROM Fail	EEPROM operation error
Warning! Fan Lock	As stated.

Warning! Line Phase Error	As stated.
Warning! Bypass Phase Error	As stated.
Warning! N Loss	Neutral loss
Warning! Internal Initial Fail	As stated.
Warning! Comm Syn Signal Fail	Communicate Synchronization Signal Fail
Warning! Comm. TRIGO Fail	Communicate Trigger signal fault
Warning! Redundancy Set Fail	As stated.
Warning! Parallel Sys Config. Wrong	Parallel System Configure error
Warning! Maintenance Bypass	Enter maintenance
Warning! Battery Age Alert	Battery Life expiration
Warning! Parallel Rack Cable Loosen	As stated.
Warning! Parallel Rack Config. Wrong	Parallel Rack Configure error
Warning! Parallel Firmware Error	Power module parallel firmware error
Warning! Battery Voltage Low	Battery voltage is too low.
Warning! ID Conflict	Power module ID conflict.
Pre-Alarm! Line Voltage Fail	Line voltage over range
Pre-Alarm! Line Voltage Normal	Line voltage recovered to normal
Pre-Alarm! Line Frequency Unstable	Line frequency over range
Pre-Alarm! Line Frequency Normal	Line frequency recovered to normal
Pre-Alarm! Over Load	Output Load over range
Pre-Alarm! Load Normal	Output Load recovered to normal
Pre-Alarm! Load Unbalance	Output Load unbalance

4.4 History Record

Table 4-13: Important setting changed

Item No.	Description	Item No.	Description
1	Setup! Model Name	2	Setup! Turn On Password
3	Setup! Language	4	Setup! Change Turn On Password
5	Setup! Adjust Time	6	Setup! Nominal Power Display
7	Setup! System Installed Date	8	Setup! Output Voltage
9	Setup! System Last Maintain Date	10	Setup! Bypass Voltage Range
11	Setup! Battery Installed Date	12	Setup! Bypass Frequency Range
13	Setup! Battery Last Maintain Date	14	Setup! Converter Mode
15	Setup! Change Password	16	Setup! ECO Mode
17	Setup! Baud Rate	18	Setup! Bypass Mode
19	Setup! Audible Alarm	20	Setup! Auto-Restart
21	Setup! Factory Reset	22	Setup! Cold Start
23	Setup! EEPROM Reset	24	Setup! Battery Mode Delay Time
25	Setup! EPO Function	26	Setup! Shutdown Restore Time
27	Setup! Save Setting	28	Setup! Redundancy
29	Setup! Power Rating Setting	30	Setup! Charger Test
31	Setup! Nominal Battery Voltage	32	Setup! Battery Capacity in Ah
33	Setup! Maximum Charging Current	34	Setup! Battery Low Voltage

35	Setup! Battery Low Capacity	36	Setup! Battery Shutdown Voltage
37	Setup! Periodic Battery Test	38	Setup! Stop By Time
39	Setup! BATTERY Age Alert	40	Setup! Temperature Compensation
41	Setup! Charging Voltage	42	Setup! PRE-ALARM
43	Setup! UPS Parallel	44	Setup! Independent Battery

Table 4-14: UPS mode change

Item No.	Description	Item No.	Description
1	UPS Mode! Power On Mode	2	UPS Mode! Standby Mode
3	UPS Mode! Bypass Mode	4	UPS Mode! Line Mode
5	UPS Mode! Battery Mode	6	UPS Mode! Battery Test Mode
7	UPS Mode! Fault Mode	8	UPS Mode! Converter Mode
9	UPS Mode! ECO Mode	10	UPS Mode! Shutdown Mode
11	UPS Mode! Un-Connection	12	

Table 4-15: Control execution

Item No.	Description	Item No.	Description
1	Control! System Turn On	2	Control! System Turn Off
3	Control! Manual Battery Test	4	Control! Cancel Battery Test
5	Control! Turn To Bypass	6	Control! Shutdown Restore
7	Control! Cancel Shutdown	8	Control! Charger Turn On
9	Control! Charger Turn Off	10	

5. Interface and Communication

As shown in figure 5-1, the Static Transfer Switch (STS) Module includes dry contact Ports (X1~X8), Extra Comm. Slot, SNMP Slot and communication port (RS232 Port, USB port) on the front panel.

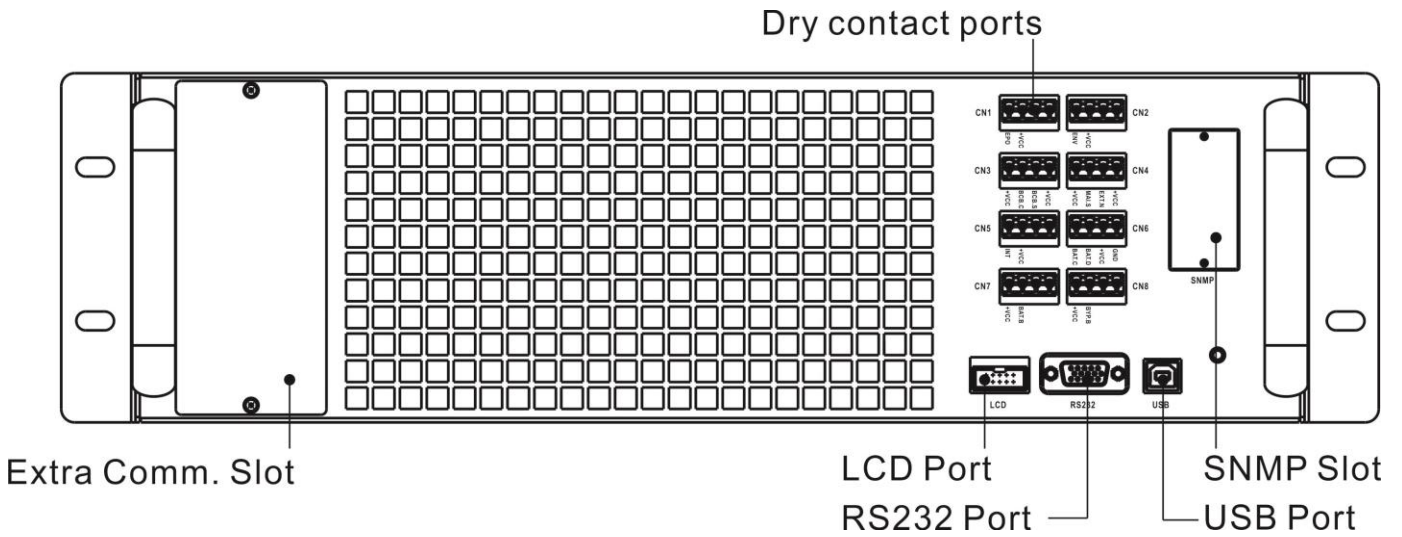


Figure 5-1 Dry contact ports and communication ports

Dry Contact No.	Function
X1	Remote EPO input port
X2	No use
X3	No use
X4	Maintenance Bypass Switch State Port
X5	No use
X6	Battery Cabinet Temperature Detection Port
X7	No use
X8	No use

5.1 Dry Contact Port

5.1.1 X1-Remote EPO Input Port

The Emergency Power off (EPO) Function in UPS can be operated by an assigned remote contact. Users can set the logic (N.C or N.O) of this EPO Function through LCD panel.

X1 is the remote EPO input port. The port is shown in Figure 5-2 and described in **Table 5-1**.

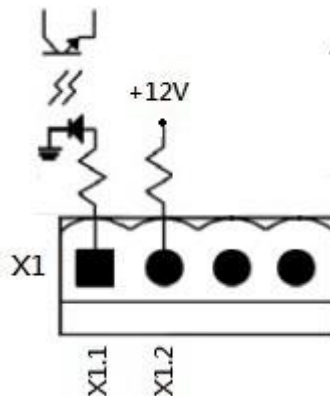


Figure 5-2 Remote EPO input port

Table 5-1: Description of remote EPO port

EPO Logic Setting	Position	Description
N.C	X1.1 & X1.2	EPO is activated when X1.1 & X1.2 opened
N.O	X1.1 & X1.2	EPO is activated when X1.1 & X1.2 shortened

If EPO Logic setting is Normal Closed (N.C), EPO is triggered when pins 1 and 2 of X1 are opened. Otherwise, EPO Logic setting is Normal Opened (N.O). EPO is triggered when pins 1 and 2 of X1 are closed.

Note:

1. EPO function activates shutdown of the rectifiers, inverters and static transfer switch. But it does not internally disconnect the input power supply.
2. The default setting of the EPO function logic is Normal Opened (N.O).

5.1.2 X4-Maintenance Bypass Switch State Port

X4 is the maintenance bypass switch port. The port is shown in Figure 5-3 and described in **Table 5-2**.

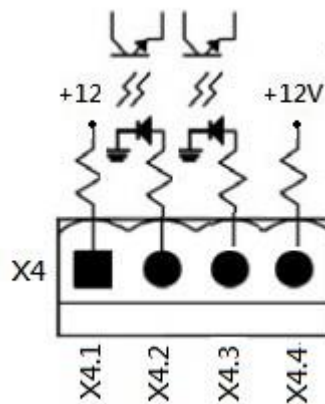


Figure 5-3 Maintenance Bypass Switch State port

Table 5-2: Description of Maintenance Bypass Switch State port

Name	Position	Description
Maintain Bypass Pin1	X4.1	Maintenance bypass switch state
Maintain Bypass Pin 2	X4.2	Maintenance bypass switch state
	X4.3	No use
	X4.4	No use

5.1.3 X6-Battery Cabinet Temperature Detection Port

There is battery cabinet temperature detection function in the UPS. The temperature of UPS battery cabinet can be detected through the external battery cabinet temperature detection sensor. Communication between the UPS and Battery temperature detection board was through I2C communication protocol. X6 is the battery cabinet temperature detection port. The port is shown in Figure 5-4 and described in **Table 5-3**.

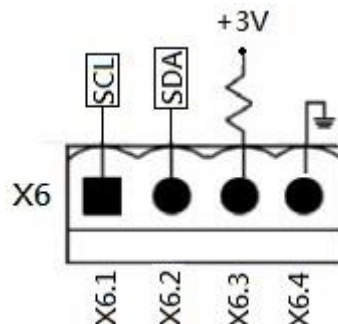


Figure 5-4 Battery Cabinet Temperature Detection Port

Table 5-3: Description of Battery Cabinet Temperature Detection Port

Name	Position	Description
SCL	X6.1	I ² C communication SCL Signal
SDA	X6.2	I ² C communication SDA Signal
+3.0V	X6.3	3V
Power GND	X6.4	GND

5.2 Extra Comm. Slot

There is an optional card, **Extra Comm. Card** which can be inserted into this slot. This option can enhance the communication capability of the modular UPS. It provides an additional SNMP Slot, Dry contact I/P & O/P signals and temperature sensors ports.

5.3 Local Communication Ports – RS232 & USB

Note: The RS232 and USB ports can't work simultaneously.

5.4 SNMP Slot

The SNMP card or AS400 card can be inserted into this slot to work with the UPS.

6. Troubleshooting

Most of the Fault and Warning need to be released by authorized service personnel. Few of them can be solved by users themselves.

LCD Message	Explanation	Solution
Fault! Bus Over Voltage	DC bus voltage is too high	Contact service personnel.
Fault! Bus Under Voltage	DC bus voltage is too low	Contact service personnel.
Fault! Bus Voltage Unbalance	DC bus voltage is not balanced	Contact service personnel.
Fault! Bus Short	DC bus is short	Contact service personnel.
Fault! Bus Soft Start Time Out	The rectifiers could not start due to low DC bus voltage within specified duration	Turn off UPS and then restart the UPS. If it fails again, contact service personnel.
Fault! Inverter Soft Start Time Out	Inverter voltage cannot reach desired voltage within specified duration	Turn off UPS and then restart the UPS. If it fails again, contact service personnel.
Fault! Inverter Voltage Over	Inverter Voltage over (Peak Value)	Contact service personnel.
Fault! Inverter Voltage High	Inverter Voltage is too high	Contact service personnel.
Fault! Inverter Voltage Low	Inverter Voltage is too Low	Contact service personnel.
Fault! R Inverter Voltage Short	R phase inverter Output is shorted	Contact service personnel.
Fault! S Inverter Voltage Short	S phase inverter Output is shorted	Contact service personnel.
Fault! T Inverter Voltage Short	T phase inverter Output is shorted	Contact service personnel.
Fault! RS Inverter Voltage Short	R-S inverter Output is shorted	Contact service personnel.
Fault! ST Inverter Voltage Short	S-T inverter Output is shorted	Contact service personnel.
Fault! TR Inverter Voltage Short	T-R inverter Output is shorted	Contact service personnel.
Fault! Inverter R Negative Power	R phase inverter Output Negative Power over range	Contact service personnel.
Fault! Inverter S Negative Power	S phase inverter Output Negative Power over range	Contact service personnel.
Fault! Inverter T Negative Power	T phase inverter Output Negative Power over range	Contact service personnel.
Fault! Over Load Fault	Heavy overload causes UPS fault.	Reduce some load.
Fault! Battery Fault	Battery reverse	Check the polarity of battery connection and contact service personnel.
Fault! Over Temperature	Make sure adequate space is allowed for air vents and the fan is working	Check if the ambient temperature is over specification. Or contact service personnel.
Fault! CAN Fault	CAN communication fault	Contact service personnel.
Fault! TRIG0 Fault	Synchronized trigger signal fault	Contact service personnel.
Fault! Relay Fault	Inverter relay fault	Contact service personnel.
Fault! Line SCR Fail	Line SCR short circuit fault	Contact service personnel.
Fault! EEPROM Fault	EEPROM operation error	Contact service personnel.
Fault! Parallel Cable Loosen Fault	As stated.	Check if the parallel cable is loose and contact service personnel.

Fault! DSP MCU Stop Communicate	As stated.	Contact service personnel.
Fault! Bypass Temperature Fault	As stated	Check if the ambient temperature is over specification. Or contact service personnel.
Fault! Bypass SCR Fault	As stated.	Contact service personnel.
Warning! EPO Active	Check the EPO connector	Check if the connector is loose when EPO acts abnormally.
Warning! Over Load Fail	The load devices are demanding more power than the UPS can supply. Line mode will transfer to Bypass mode.	Reduce some load and check output Load-Capacity and specification
Warning! Communicate CAN Fail	CAN communication error	Contact service personnel.
Warning! Over Load	In Line mode, the load devices are demanding more power than the UPS can supply.	Reduce some load and check output Load-Capacity and specification
Warning! Battery Open	Battery not connected	<ol style="list-style-type: none"> 1. Check battery breaker. 2. Check if the battery connection is well connected. 3. Check the setting of Nominal Battery voltage. 4. Contact service personnel if necessary
Warning! Battery voltage High	Battery voltage is too High	Check the setting of Nominal Battery voltage and contact service personnel.
Warning! Module Un-Lock	As stated.	Check if module is locked well.
Warning! Turn On Abnormal	As stated.	Check if the input voltage or frequency is out of range.
Warning! Charge Fail	As stated.	Contact service personnel.
Warning! EEPROM Fail	EEPROM operation error	Contact service personnel.
Warning! Fan Lock	As stated.	Check if the fan is blocked or contact service personnel.
Warning! Line Phase Error	As stated.	Check if the Mains phase sequence is correct and contact service personnel.
Warning! Bypass Phase Error	As stated.	Check if the Bypass phase sequence is correct and contact service personnel.
Warning! N Loss	Neutral loss	Check if the Neutral connection is well and contact service personnel..
Warning! Internal Initial Fail	As stated.	Contact service personnel.
Warning! Comm. Syn. Signal Fail	Communicate Synchronization Signal Fail	Contact service personnel.
Warning! Comm. TRIG0 Fail	Communicate Trigger signal fault	Contact service personnel.
Warning! Redundancy Set Fail	As stated.	Check the redundancy setting is correct and contact service personnel.
Warning! Parallel Sys Config. Wrong	Parallel System Configure error	Contact service personnel.
Warning! Maintenance Bypass	Enter maintenance	Check if the connector is loose when it acts abnormally.
Warning! Battery Age Alert	Battery Life expiration	Check if the battery has been used over its service age. Or contact service

		personnel.
Warning! Parallel Rack Cable Loosen	As stated.	Check if the Parallel Rack Cable is loose and contact service personnel.
Warning! Parallel Rack Config. Wrong	Parallel Rack Configure error	Check the Parallel Rack Setting is correct and contact service personnel.
Warning! Parallel Firmware Error	Power module parallel firmware error	The firmware version does not support Rack Parallel feature. Contact service personnel.
Warning! ID Conflict	Power module ID conflict.	There are two Power Modules with the same ID numbers. Change the repeated ID to release it. Or contact service personnel.

7. Service

This chapter introduces the UPS service, including the service procedures of the power module, STS & control module, battery module and the replacement of air filter.

Warning:

1. Only the customer service engineers can service the power modules, bypass module and battery modules.
2. Remove the power modules, bypass module and battery modules from top to bottom, so as to prevent cabinet from toppling due to high center of gravity.
3. **The static transfer switch module is NOT hot pluggable.** It should be replaced only when the UPS is in maintenance bypass mode or completely powered off.

7.1 Replacement Procedures Of Power Module

Warning:

- Confirm UPS is in Line mode or Bypass mode.
 - Confirm at least one Power Module remains in the UPS cabinet after one Power Module is removed
 - If all power modules have to be removed, the replacement MUST be under Maintenance Bypass Operation Mode.
1. Turn ready switch to "■" position
 2. The Power Module FAULT LED (RED) indicator is lit to indicate the Power Module output is off and disconnected from UPS system.
 3. Use a screwdriver to remove the four screws from fixing holes.
 4. Two people pull out together and remove the Power Module from its slot.
 5. After servicing the module, confirm that the DIP switch of the module is set correctly and the ready switch is in unready state "■".
 6. Push the module into the cabinet and tighten the screws on both sides. If it's more than one power module to re-install, please wait 30-second before installing another module.
 7. The re-installed Power Module will be turned on automatically when UPS is in line mode.

7.2 Replacement Procedures Of STS Module

Warning:

- Confirm the UPS is operating in Maintenance Bypass Mode.
1. Follow Section "3.3.3.1 Transfer to maintenance bypass" procedure to transfer UPS into Maintenance Bypass operation.
 2. Remove the fixing screws on both sides of the front panel of the module and pull the module out from the cabinet.
 3. After servicing the module, push the module into the cabinet and tighten the screws on both sides.
 4. Follow chapter "3.3.3.2 Transfer to UPS Protection" procedure to transfer UPS into Bypass operation
 5. Press menu →control → system turn on →YES to turn UPS on.

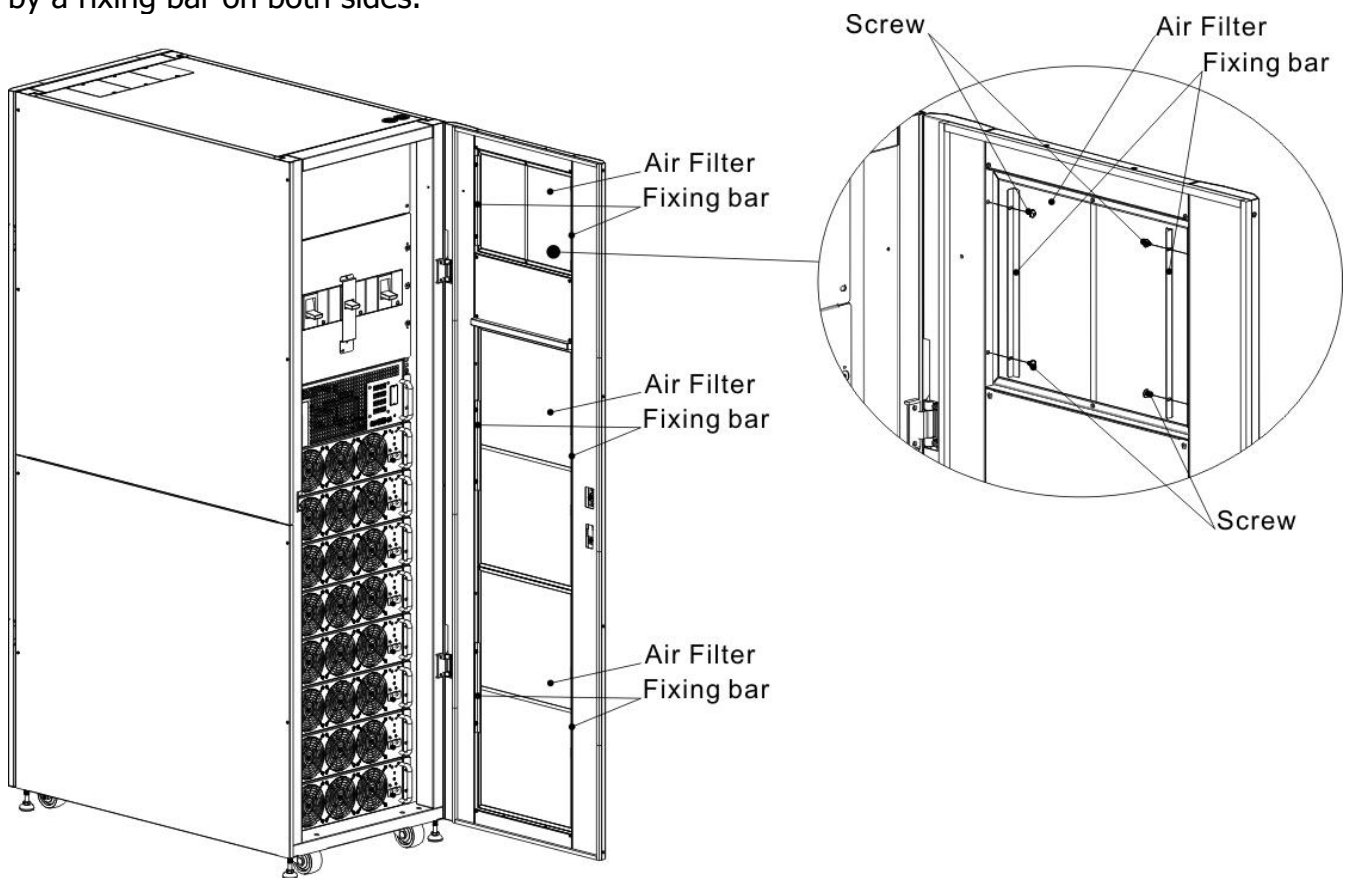
7.3 Replacement Procedures Of Battery Module

Warning:

- Confirm the types of battery are the same.
1. Remove the fixing screws on both sides of the front panel of the module, and pull out the battery module.
 2. Push the new battery module into cabinet and fix it with screws on both sides of the front panel.

7.4 Replacement Procedures Of Air Filter

As shown below, the UPS provides four air filters on the back of the front door. Each filter is fixed by a fixing bar on both sides.



The replacement procedures of air filter are as follows:

1. Open the front door of the UPS and the air filters are on the back of the door.
2. Remove a fixing bar on either side of the air filter.
3. Remove the air filter, and insert a clean one.
4. Replace the fixing bar.

8. Specifications

The chapter states the specifications of UPS.

8.1 Conformity And Standards

The UPS has been designed to conform to the European and international standards listed in **Table 8-1**.

Table 8-1: European and international standards

Item	Normative reference
Uninterruptible power systems (UPS) –Part 1: General and safety requirements for UPS	IEC/EN62040-1
Electromagnetic compatibility (EMC) requirements for UPS	IEC/EN62040-2
Method of specifying the performance and test requirements of UPS	IEC/EN62040-3
Notes:	
ESD	IEC/EN 61000-4-2 Level 3
RS	IEC/EN 61000-4-3 Level 3
EFT	IEC/EN 61000-4-4 Level 3
Surge	IEC/EN 61000-4-5 Level 3
CS	IEC/EN 61000-4-6 Level 3
Power-Frequency Magnetic field	IEC/EN 61000-4-8 Level 3
Low Frequency Signals	IEC/EN 61000-2-2 Level 10V
Conduction	IEC/EN62040-2 Category C3
Radiation	IEC/EN62040-2 Category C3

8.2 Environmental Characteristics

Table 8-2: Environmental characteristics

Item	Unit	Specifications
Noise within 1 m	dB	Max. 73
Altitude	m	≤1000, derate power by 1% per 100m between 1000m and 2000m
Relative humidity	% RH	0 ~ 95, non-condensing
Operating temperature	°C	0 ~ 40°C (Output capacity will be derated when temperature is over 30°C. It will be derated to 90% at 35°C and 80% at 40°C.)
Storage and transport temperature for UPS	°C	-15 ~ 60

8.3 Mechanical Characteristics

Table 8-3: Mechanical characteristics

30U

Model		30U-90HV	30U-120HV	30U-180HV
Rated power (kVA)	Unit	90	120	180
Dimensions, W x D x H	mm	600 x 1100 x 1475		
Weight	kg	675	335	437.5
Color	N/A	Black		
Protection degree, IEC (60529)	N/A	IP20 (front door and back door is open or closed)		

42U

Model		42U-120HV	42U-210HV
Rated power (kVA)	Unit	120	210
Dimensions, W x D x H	mm	600 x 1100 x 2010	
Weight	kg	932	7 Power Modules: 514.5 8 Power Modules: 549
Color	N/A	Black	
Protection degree, IEC (60529)	N/A	IP20 (front door and back door is open or closed)	

8.4 Electrical Characteristics (Input Rectifier)

Table 8-4: Rectifier AC input (mains)

Rated power (kVA)	Unit	30~210
Rated AC input voltage	Vac	380/400/415 (3-phase and sharing neutral with the bypass input)
Input voltage tolerance	Vac	305 ~ 478; 304 ~ 208 (output derated below 70%)
Frequency	Hz	50/60 (tolerance: 40Hz ~ 70Hz)
Power factor	kW/kVA	0.99 (0.98) full load(half load)
Harmonic current distortion	THDI%	<3 (full load)

8.5 Electrical Characteristics (Intermediate DC Circuit)

Table 8-5: Battery

Intermediate DC circuit						
Model		30U-90HV	42U-120HV	30U-120HV	30U-180HV	42U-210HV
Rated power (kVA)	Unit	90	120	120	180	210
Number of lead-acid cells	Nominal	216 (6cells x 36 12V battery block)				
	Maximum	240 (6cells x 40 12V battery block)				
	Minimum	192 (6cells x 32 12V battery block)				
Float voltage	V/cell	2.3V/cell Constant current and constant voltage charge mode				
Temperature compensation	mV/ /cl	-3.0 (Option)				
Ripple voltage	% V float	≤1				
Ripple current	% C10	≤5				
Boost voltage	VRLA	2.35V/cell Constant current and constant voltage charge mode				
EOD voltage	V/cell	1.67V/cell				
Battery charge	V/cell	Limit current and constant voltage charge mode Floating Voltage 2.3V/cell Boost charging 2.35V/cell				
Battery charging power ¹ max current	A	8 / per power module (adjustable)				

Note:

1. At low input voltage the UPS recharging capability increases and load decreases (up to the maximum capacity indicated).

8.6 Electrical Characteristics (Inverter Output)

Table 8-6: Inverter output (to critical load)

Rated power (kVA)	Unit	30 ~ 210
Rated AC voltage ¹	Vac	380/400/415 (three-phase four-wire, with neutral reference to the bypass neutral)
Frequency	Hz	50/60 Auto Selectable
Overload	%	105%~110% for 60min 110%~125% for 10min 126%~150% for 1min >150% for 200ms
Neutral current capability	%	170%
Steady state voltage stability	%	±1 (balanced load), ±2 (100% unbalanced load)
Total harmonic voltage	%	<2 (linear load), <4 (non-linear load ³)
Synchronization window		+/- 1Hz, +/- 2Hz, +/- 4Hz (default: 4Hz)
Note: 1. Factory setting is 400V. 380 or 415V is selectable by commissioning engineer.		

8.7 Electrical Characteristics (Bypass Mains Input)

Table 8-7: Bypass mains input

Rated power (kVA)	Unit	30 ~ 210
Rated AC voltage ¹	Vac	380/400/415 (Three-phase four-wire, sharing neutral with the rectifier input and providing neutral reference to the output)
Rated current	A	30U for 90KW → 171, 380V / 164, 400V / 157, 415V 42U for 120KW → 228, 380V / 218, 400V / 209, 415V 42U for 210KW → 397, 380V / 380, 365V / 329, 415V
Overload	%	105%~110% for 60min 110%~125% for 10min 126%~150% for 1min >150% for 200ms
Upstream protection, bypass line	N/A	Circuit breaker, rated up to 100% of nominal output current.
Current rating of neutral cable	A	1.7 × I _n
Frequency	Hz	50/60 Auto Selectable
Transfer time (between bypass and inverter)	ms	Synchronous transfer: ≤20ms
Bypass voltage tolerance	%Vac	Upper limit: +10, +15 or +20, default: +15 Lower limit: -10, -20, -30 default: -20 (delay time to accept steady bypass voltage: 10s)
Frequency Range	Hz	+/- 1Hz, +/- 2Hz, +/- 4Hz (default: 4Hz)
Note: 1. Factory setting is 400V. 380V or 415V is selectable by commissioning engineer.		

9. UPS Installation for Parallel Rack System

The chapter introduces how to install and set up the single rack system to parallel rack system.

Warning:

- The input harmonic current distortion will be higher than 3% and less than 4.5% in parallel rack system.
- You need to order the parallel cable for this kind of application. The parallel is required for the installation and operation.
- The firmware version of power module must be 10.58 or higher and firmware version of LCD must be 11.50 or higher.
- If you want to install the UPS to parallel rack system by yourself, installation must be under the supervision of authorized engineers or service personnel.

9.1 Input and Output Wiring

1. When install the parallel rack system, the input wires (R, S, T, N) length of the Rack must be equal to another Rack input wires. Likewise, the output wires (R, S, T, N) length of the Rack must be equal to another Rack output wires. The same length of input and output wires of two Racks are required, or it will cause the unbalance current of output load.
2. Refer to Chapter "3. Installation" about the input and output wiring and battery wiring methods in User Manual.

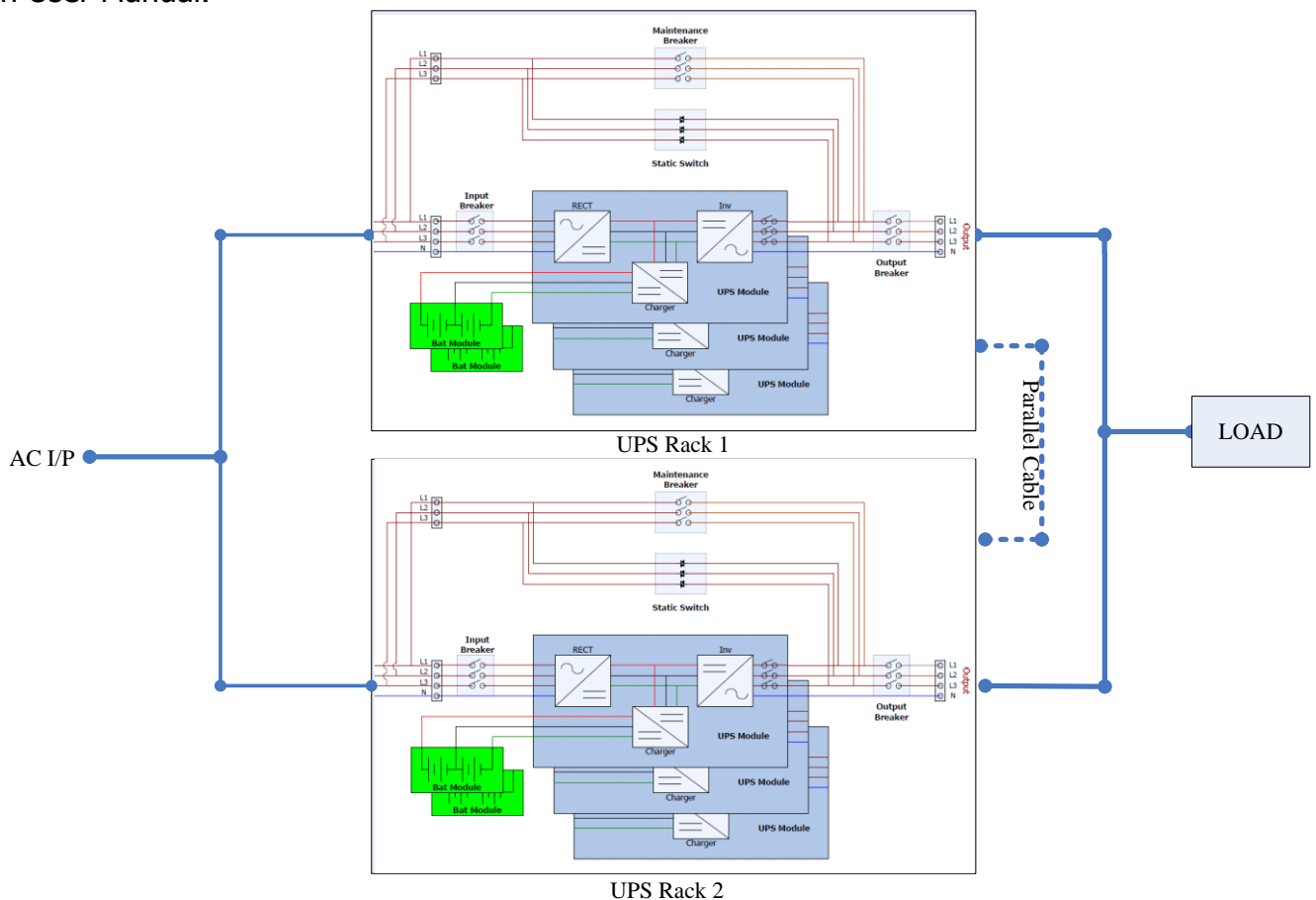


Figure 9-1 Parallel System Wiring

9.2 Parallel Board Setting and Power Module

9.2.1 Install Power Module of Rack1

1. The parallel board(s) of the Rack 1, the SW2 must be set to the right side, please refer to the figure 9-2 as below.

Warning:

For the cabinets which can insert more than 5 power modules, there are two parallel boards inside the cabinet. Both of these two SW2 have to be adjusted simultaneously.

2. Refer to Table 2-1 to set the module address.

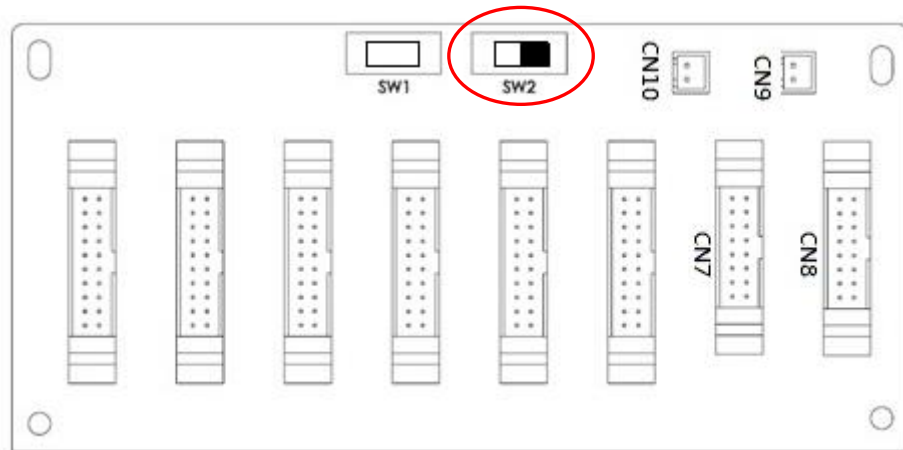


Figure 9-2 Rack 1 SW2 set to the right side

9.2.2 Install Power Module of Rack2

1. The parallel board(s) of the Rack 2, the SW2 must be to set the left side, please refer to the figure 9-3 below.

Warning:

For the cabinets which can insert more than 5 power modules, there are two parallel boards inside the cabinet. Both of these two SW2 have to be adjusted simultaneously.

2. Refer to Table 2-1 to set the module address.

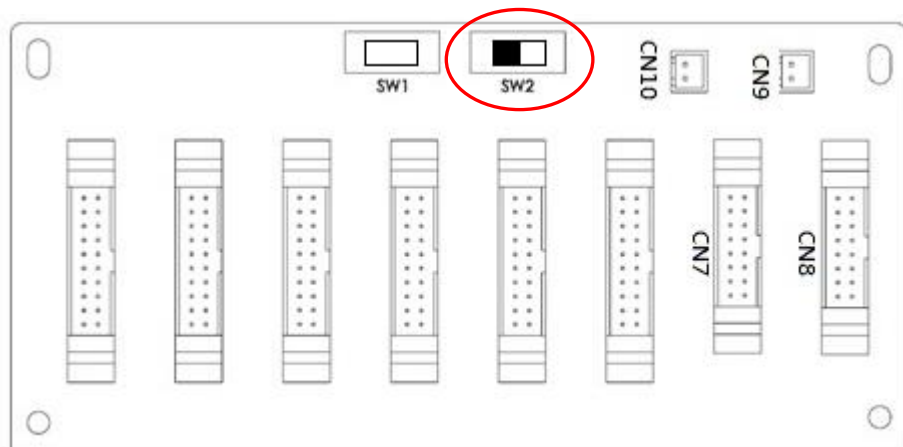


Figure 9-3 Rack 2 SW2 set to the left side

9.3 Parallel Function Setting

1. For the input and output wiring, please be sure to follow section 9.1 Input and Output Wiring and confirm that.
2. For the Parallel Board Setting and Install Power Module, please be sure to follow section 9.2 Parallel Board Setting and Power Module process and confirm that.

Please confirm if the two steps above have been completed correctly, and then set parallel function and Battery configuration. Please follow the steps below:

1. **Do not connect Parallel Cable until informed.**
2. Place the Input breakers (Q1) of two Racks in the "ON" position. But keep the Output breakers (Q3) of two Racks in the "OFF" position.
3. Turn on the battery breaker.
4. Turn on the external AC source breaker to apply AC Input source to two Racks.
5. Wait for the wake-up of UPSs. Then start to set Rack 1.
6. Through the panel of the UPS 1(Rack 1), set up the parallel function. Enter the "PARALLEL" item in "SETUP" page. (Refer to User Manual 4.2.6.5 SETUP operation method)
7. Enable the "UPS Parallel" function of UPS 1(Rack 1). (**Ignore the warning of "Parallel Rack Cable Loosen"**)
8. Setting the Battery configuration is independent or common battery, depending on the actual application.
9. After setting these two parameters, use the "Save Setting" item in "General" page of "SETUP" to save settings.
10. Continue the setting of Rack 2.
11. Through the panel of the UPS 2(Rack 2) to setup the parallel function. Enter the "PARALLEL" item in "SETUP" page. (Refer to User Manual 4.2.6.5 SETUP operation method)
12. Enable the "UPS Parallel" function of UPS 2(Rack 2). (**Ignore the warning of "Parallel Rack Cable Loosen"**)
13. Setting the Battery configure is independent or common battery, depend on the actual application.
14. After setting these two parameters, use the "Save Setting" item in "General" page of "SETUP" to save settings.
15. Turn off the external AC Source Breaker and wait for complete shutdown of UPSs.
16. Turn off Battery Breaker.

9.4 Parallel Cable Connection

There are two connectors at the end of Parallel Cable, one is 16-pins and the other is 2-pins. Insert the 16-pins connector into the CN7 and 2-pins connector into the CN10. Both racks use the same way to connect the parallel cable. Please refer to connector's position as shown in figure 9-4 & 9-5 below.

For the cabinet with two parallel boards, please insert the connectors into any one of two boards.

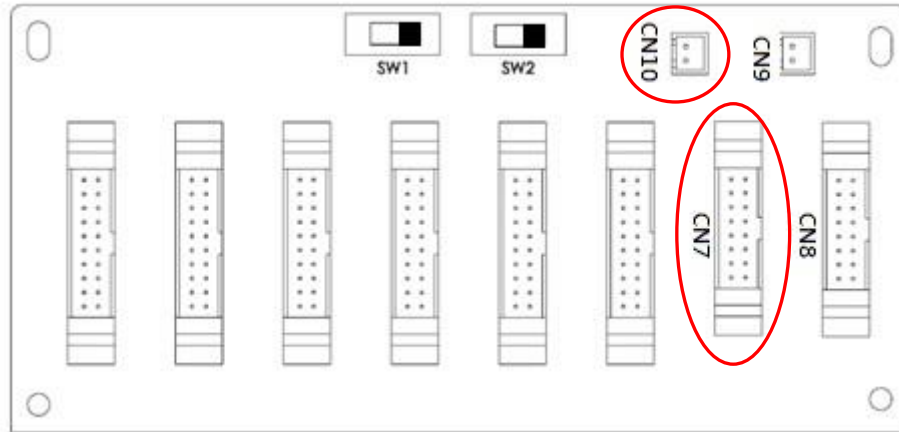


Figure 9-4 Rack 1 Parallel Board

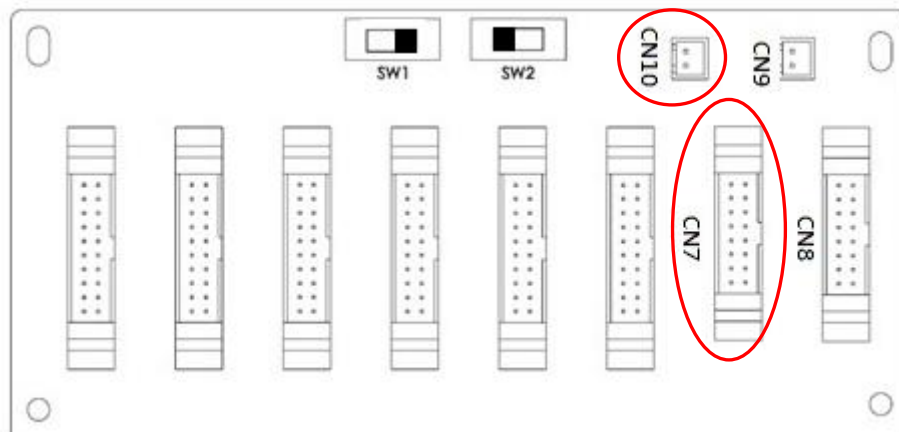


Figure 9-5 Rack 2 Parallel Board

Warning:

The parallel cable of each UPS must to be connected correctly, the wrong connection will cause the UPS system cannot operate normally.

9.5 Parallel System Turn On Procedure

- 1 Please make sure the section 9.1 ~ 9.4 has been well followed.
- 2 Please confirm the Input breaker and output breakers of each UPS (Rack) have already been turned "ON".
- 3 Turn On the battery Breaker.
- 4 Turn on the external AC source breaker to apply AC Input source to two Racks.
- 5 Through the panel of the UPS 1(Rack 1) or UPS 2(Rack2), set up the total power module number and redundant number. (Refer to User Manual 4.2.6 SETUP Screen).
- 6 Through the panel of the UPS 1(Rack 1) or UPS 2(Rack2), get all module information , and confirm the information of all module can be display on the panel.(Refer to User Manual 4.2.5 MEASUREMENT Screen)
- 7 Please confirm the system without any abnormal event through the panel display.(Refer to User Manual 4.2.8 EVENTS Screen)
- 8 Turn on the UPS through the ON switch or control page of the panel. (Refer to User Manual 4.2.4 Control Screen)